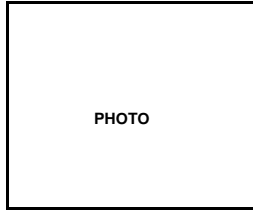




Design Release

Motor Series MTR2b



Reversible Synchronous Motor-500RPM

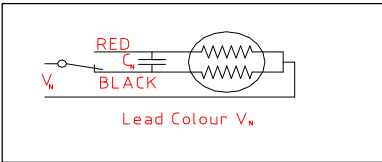
Application

Recorders, Instrumentation, Diamond machinery, Valve Actuators, Light displays, Textile machinery, Medical equipment, Air conditioning & refrigeration, Dampers, Peristaltic Pumps, Dosing Pumps, Vending machines CCTV Camera positioning, any timing and positioning Application

Design

MTR2b reversing synchronous motor is of the permanent magnet type with two stator windings, for single phase AC 50/60 Hz. Phase displacement of the excitation current is achieved by connecting a capacitor in series with one of the stator windings. The sense of rotation is determined by the resulting circular rotating field. Electrical reversal of the sense of rotation is effected by means of a single-pole changeover switch. The 12 pole rotor which has a steel shaft polished to a mirror-finish rotates in sintered bronze bearings. Motor can be provided with Mounting plate/ Screw clip for fixing

Connection Diagram



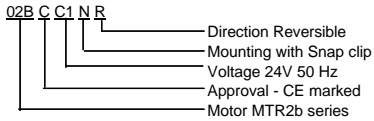
Standard Data

Motor type		Reversible synchronous
Ambient temperature operation	°C	-15...+55
Ambient temperature storage	°C	-20...+100
Thermal class	°C	105
Motor speed	rpm	500
Life expectancy		3 years in continuous operation
Mounting		any position
Standard motor voltages	V	12,24,48,(others on request)
HVT		0.6 KV (motor voltage<40V); for 1min
Weight	gm	30
Rotor stalling		motor can be stopped when voltage is applied, without being overheated
Rotor shaft		Hardened steel, ground and polished
Bearings		Sintered bronze, self lubricating
External dimensions		Dia 20.5 x 15.2

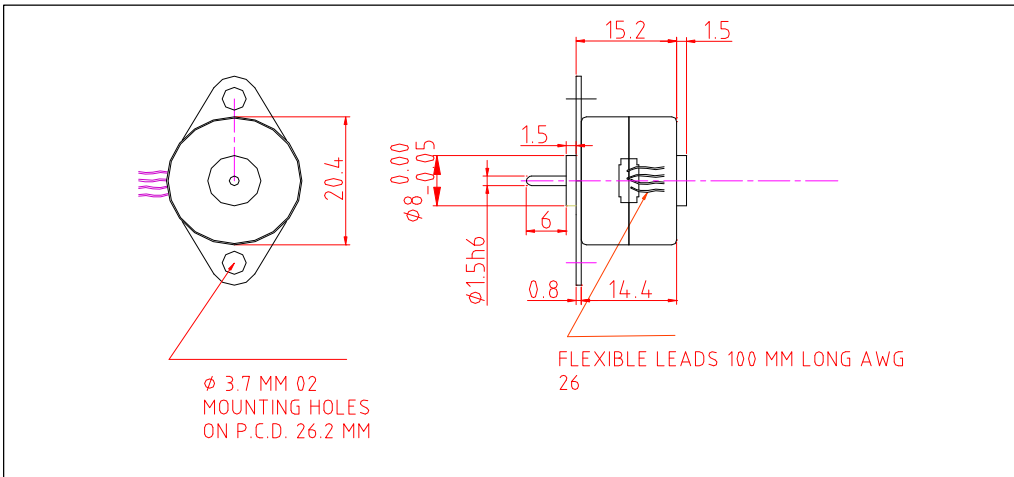
Technical data

Rated Voltage V_N	V	12	24	48			
Operation capacitor (50 Hz) C_N	$\mu\text{F/VAC}$	To be devl					
Operation capacitor (60Mz) C_N	$\mu\text{F/VAC}$	To be devl					
Lead colour (V_N)		Grey	Blue	Brown			
Tolerance of voltage	%	-10...+15% of rated voltage					
Duty cycle	%	100					
Rated frequency	Hz			50		60	
Power output at rated voltage	W			0.13		0.14	
Speed	rpm			500		600	
Running torque at rated voltage	gm-cm			20		18	
Power consumption at rated voltage	W			1		1	
Detent torque	gm-cm	13					

Ordering Data (e.g.)



Motor Drawing



Ø 3.7 ±0.04 VZ
MOUNTING HOLES
ON P.C.D. 26.2 MM

20