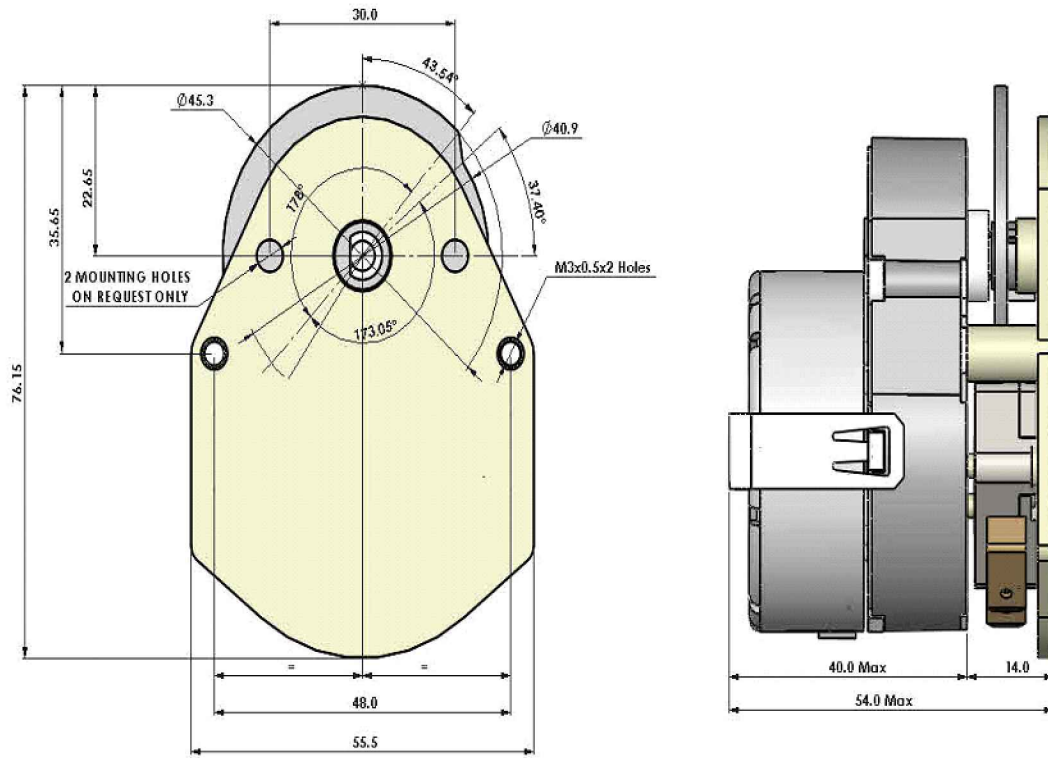


AC Cam Timer Series

Drawing



AC Cam Timer Series

Technical Data

Supply Voltage	VAC	12, 24, 48, 110, 200, 230, 240 (others on request)
Supply tolerance	%	±10
Power consumption	VA	1.5/3.5
Revolution times		from 1 sec to 168 hr/rev
Outputs		1 microswitch(changeover contacts in silver alloy)
Contacts rating		16(4)A,250v as per EN61058 rating
Available cams		quick stop cam: (1 space or pulse per revolution) others on request: custom precut or moulded (max 24 pulses per revolution)
Minium operation (electrical)		quick stop cam:9.5°(1/38 of the revolution time) other cams: 9°(1/40 of the revolution time)(available on special request)
Output shaft		(4mm hexagon or Ø6mm with flat) others on request
Direction of rotation		Clockwise/Counterclockwise,reversible on request,(2 way clutch request)
torque	Nm	0.5
Contact tripping torque	Ncm	3
High voltage test		(As per standard IEC 60034-1)
Temperature rang	°c	Operating: -10°c to +55°c ; Storage: -30°c to +85°c
Mounting		Any position
Connections		Flexible leads 22AWG, 200mm length; stripped 10mm for motor & 6.35×0.8 for terminal.(others on request)
Protections	IP	10 (As per 60529)
Approvals		CE, UL (file no.E315124)
Electrical life at rated load at 85°c	cycle	50,000 according to EN

Exploded View

