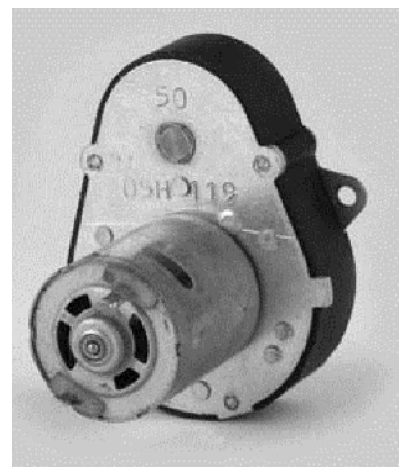
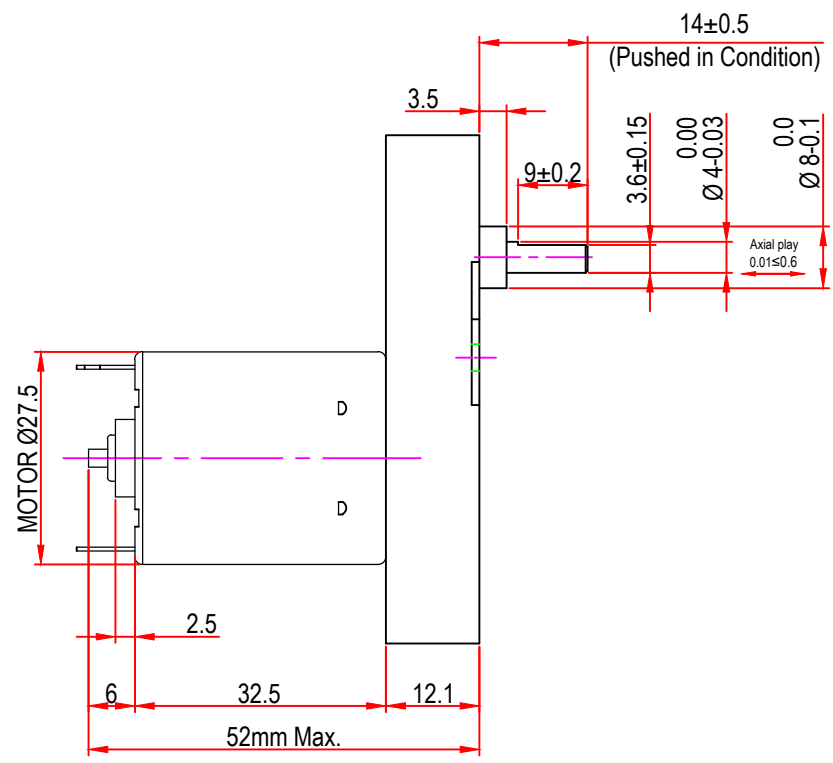
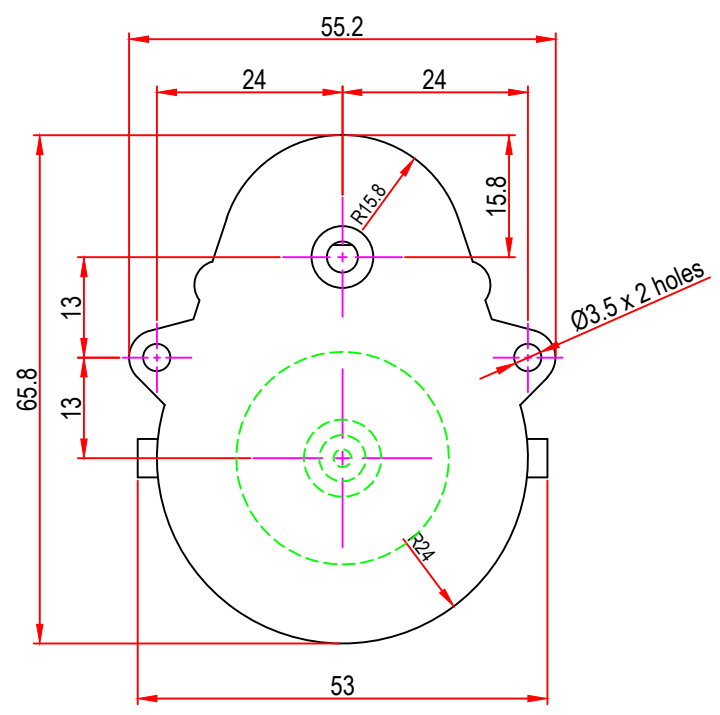


Issue/RevNo	Revision note	Date	Signature	Checked
1.0	Original Issue	01/04/2014	MBM	TNB



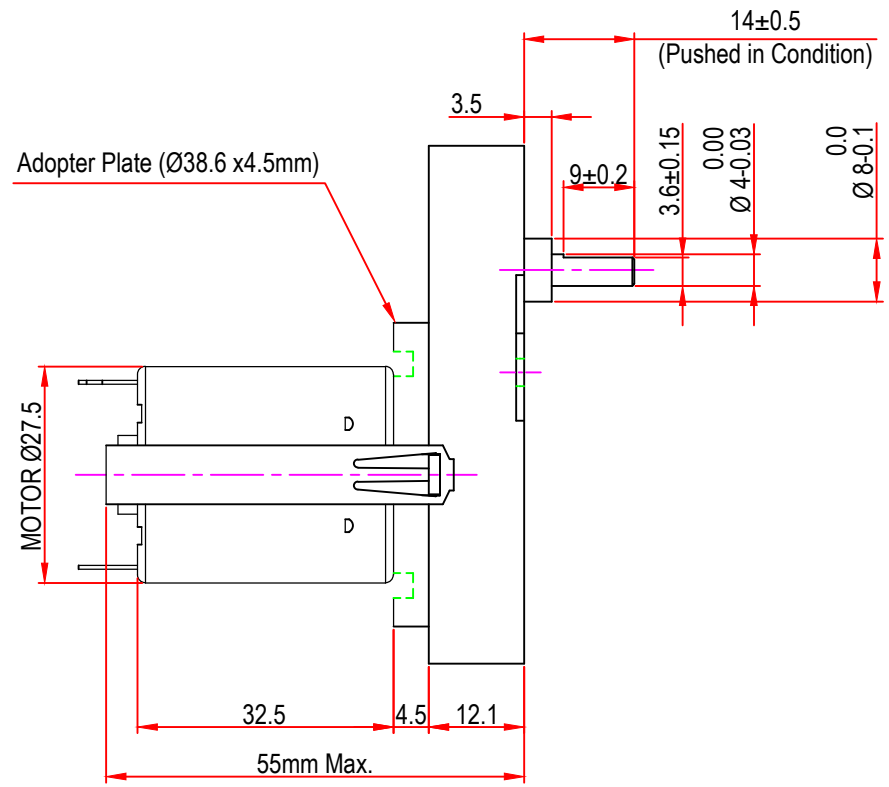
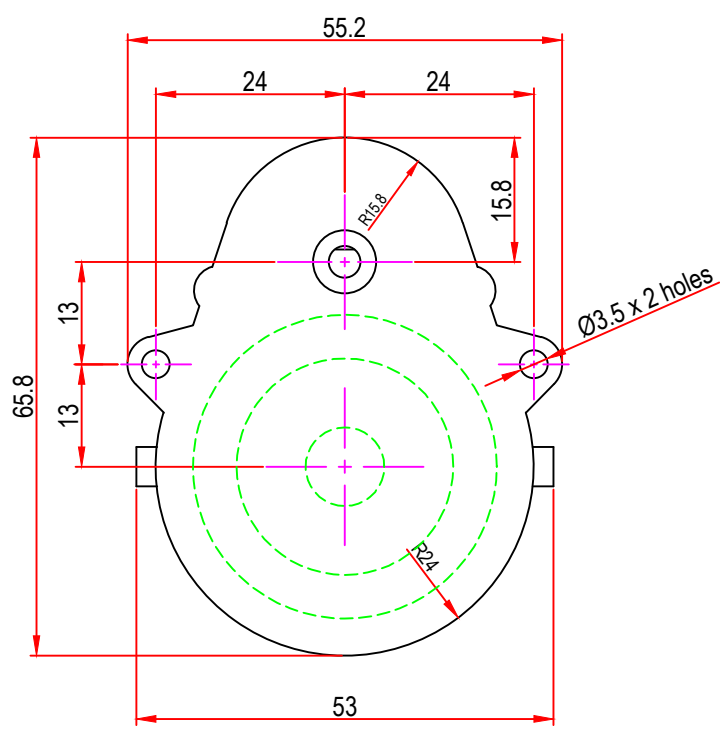
Itemref	Client	-		Article No./Reference
Designed by MBM	Checked by TNB	Approved by TNB	Date 01/04/2014	Scale do not scale
<b>BRAND - MECHTEX</b> Navi Mumbai - 400 709.			<b>DC28GB5H (WITH SNAP CLIP MOUNTING)</b>	
F-MKT-022 VER 3.0			Assembly Drawing	Edition Sheet 1 of 1

1 2 3 4 5 6 7 8

Issue/RevNo	Revision note	Date	Signature	Checked
1.0	Original Issue	01/04/2014	MBM	TNB

A  
B  
C  
D  
E  
F

A  
B  
C  
D  
E  
F



Itemref	Client	-		Article No./Reference
Designed by MBM	Checked by TNB	Approved by TNB	Date 01/04/2014	Scale do not scale
<b>BRAND - MECHTEX</b> Navi Mumbai - 400 709.			<b>DC28GB5H</b>	
F-MKT-022 VER 3.0			Assembly Drawing	Edition Sheet 1 of 1

1 2 3 4 5 6 7 8