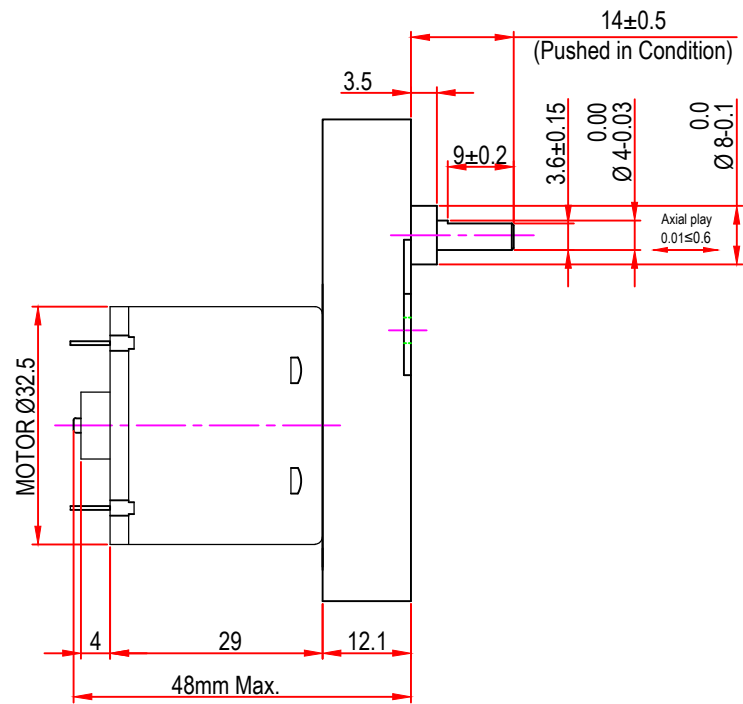
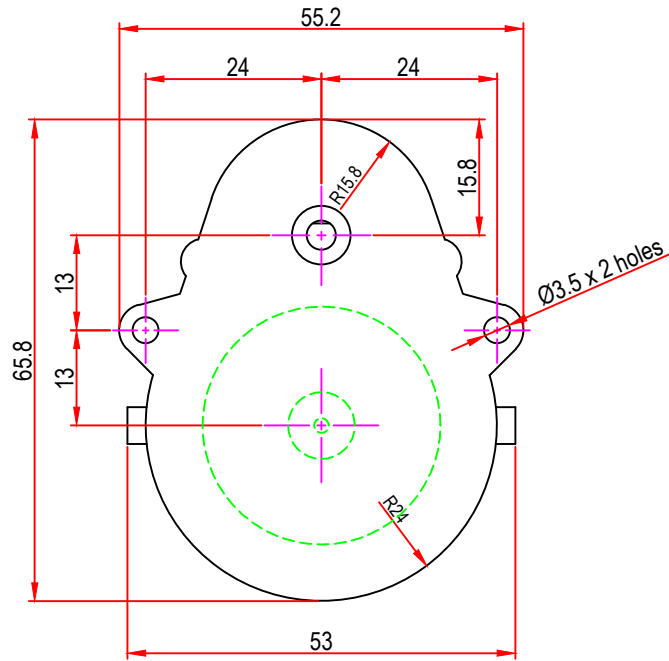



1 2 3 4 5 6 7 8

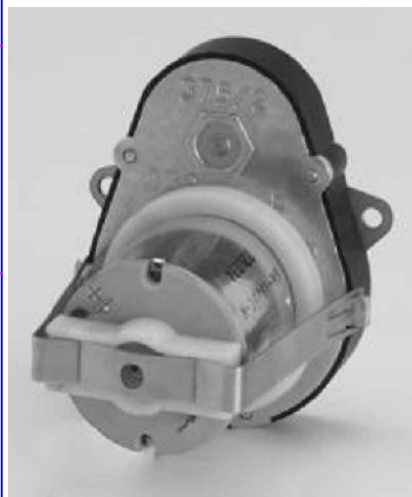
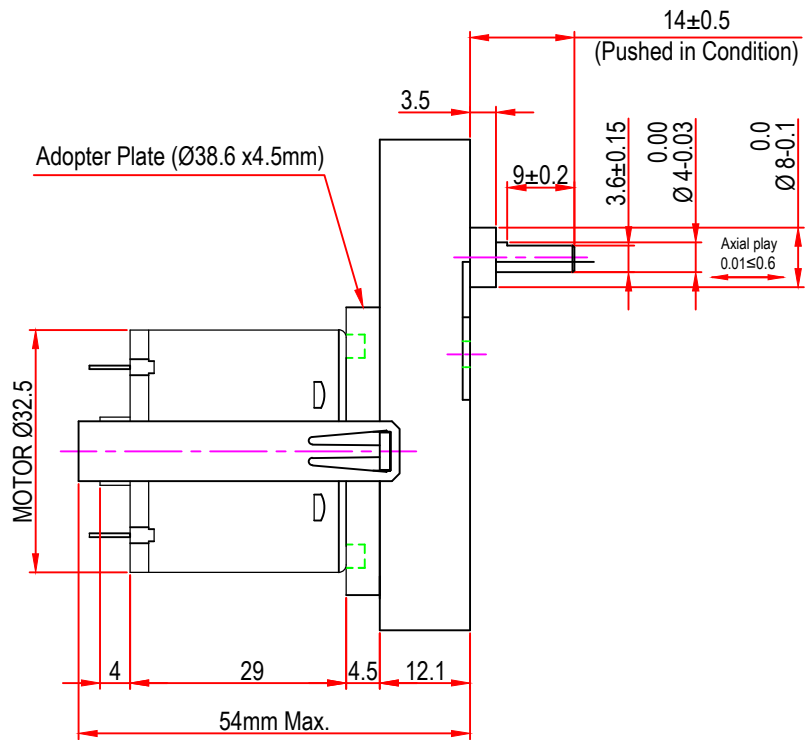
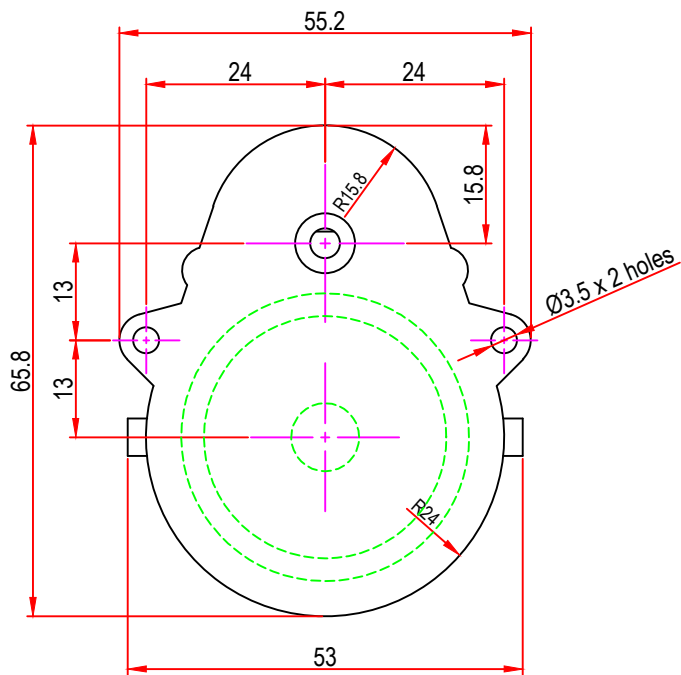
Issue/RevNo	Revision note	Date	Signature	Checked
1.0	Original Issue	01/04/2014	MBM	TNB




 Motion Drivetrionics Pvt Ltd					
Itemref	Client	-			
Designed by MBM		Checked by TNB	Approved by TNB		
		Date 01/04/2014	Scale do not scale		
BRAND - MECHTEX Navi Mumbai - 400 709.		DC30aGB5H (INTERNAL SCREW MOUNTING)			
F-MKT-022 VER 3.0		Assembly Drawing	<table border="1"> <tr> <td>Edition</td> <td>Sheet 1 of 1</td> </tr> </table>	Edition	Sheet 1 of 1
Edition	Sheet 1 of 1				

1 2 3 4 5 6 7 8

Issue/RevNo	Revision note	Date	Signature	Checked
1.0	Original Issue	01/04/2014	MBM	TNB



 Motion Drivetrionics Pvt Ltd			
Itemref	Client	-	
Designed by MBM		Checked by TNB	Approved by TNB
Article No./Reference		Date 01/04/2014	Scale do not scale
BRAND - MECHTEX Navi Mumbai - 400 709.		DC30aGB5H	
F-MKT-022 VER 3.0		Assembly Drawing	Edition Sheet 1 of 1