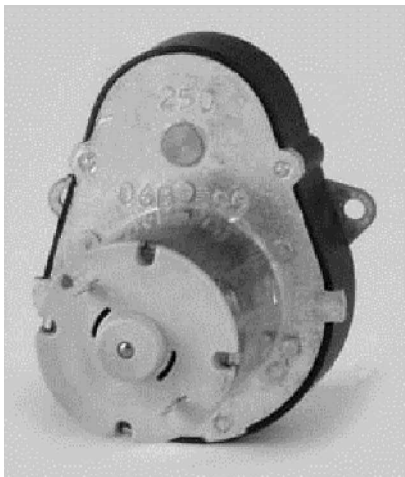
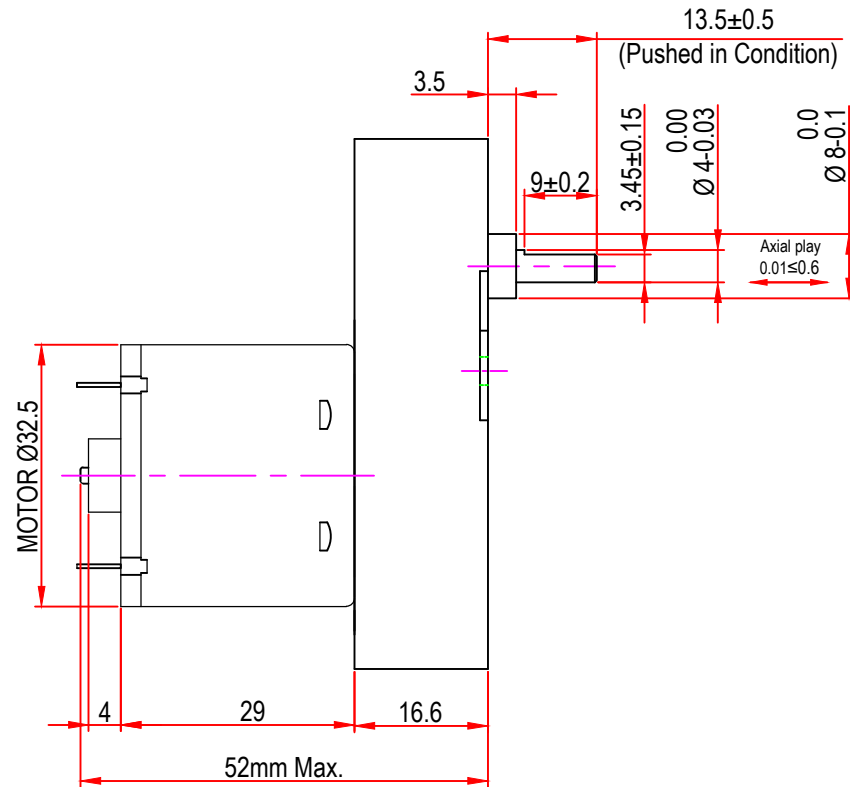
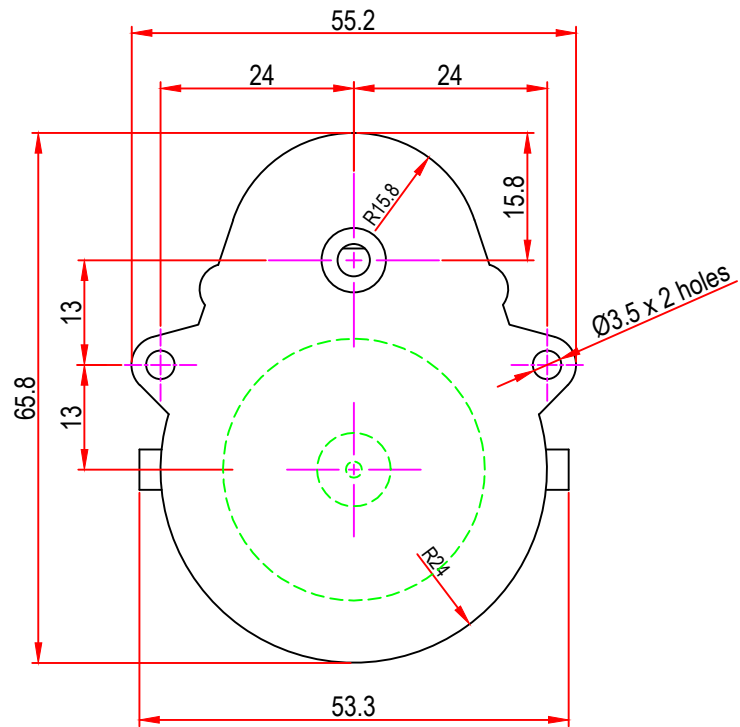

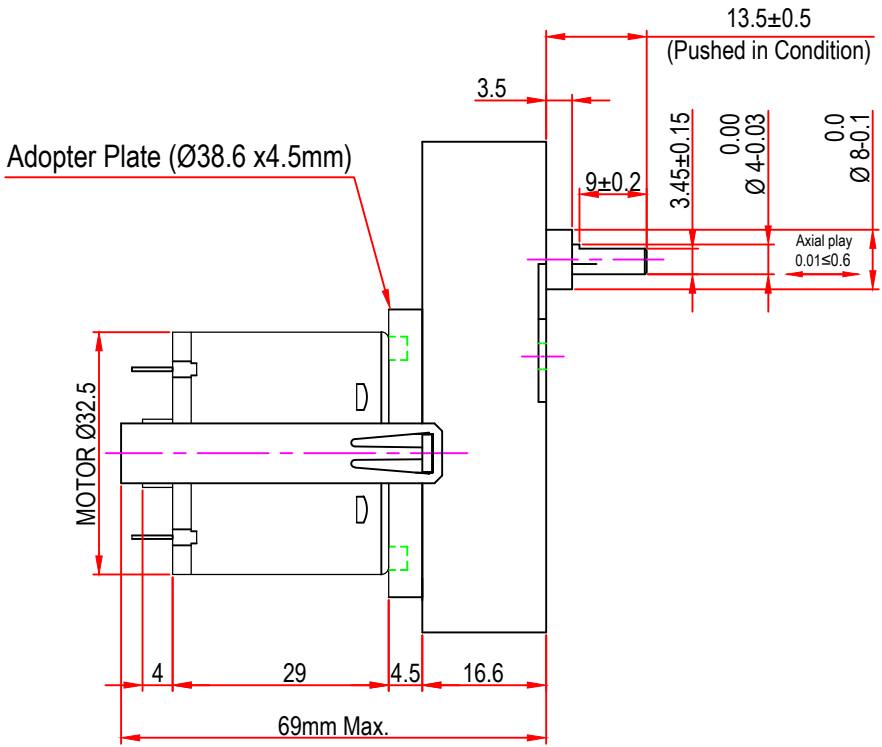
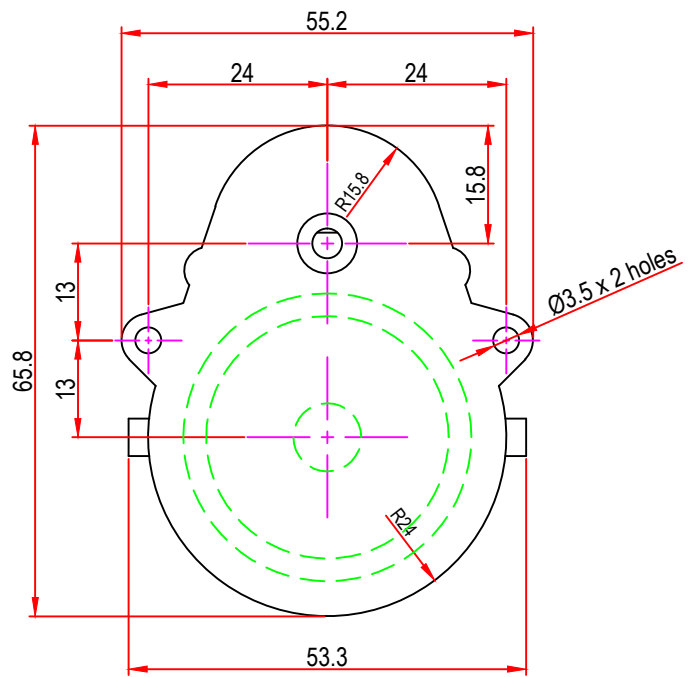



Issue/RevNo	Revision note	Date	Signature	Checked
1.0	Original Issue	01/04/2014	MBM	TNB



 Motion Drivetrionics Pvt Ltd				
Itemref	Client	-		Article No./Reference
Designed by MBM	Checked by TNB	Approved by TNB	Date 01/04/2014	Scale do not scale
BRAND - MECHTEX Navi Mumbai - 400 709.			DC30aGB5P (INTERNAL SCREW MOUNTING)	
F-MKT-022 VER 3.0			Assembly Drawing	Edition Sheet 1 of 1

Issue/RevNo	Revision note	Date	Signature	Checked
1.0	Original Issue	01/04/2014	MBM	TNB



 Motion Drivetrronics Pvt Ltd			
Itemref	Client	-	
Designed by MBM		Checked by TNB	Approved by TNB
Article No./Reference		Date 01/04/2014	Scale do not scale
BRAND - MECHTEX Navi Mumbai - 400 709.		DC30GB5P	
F-MKT-022 VER 3.0		Assembly Drawing	Edition Sheet 1 of 1