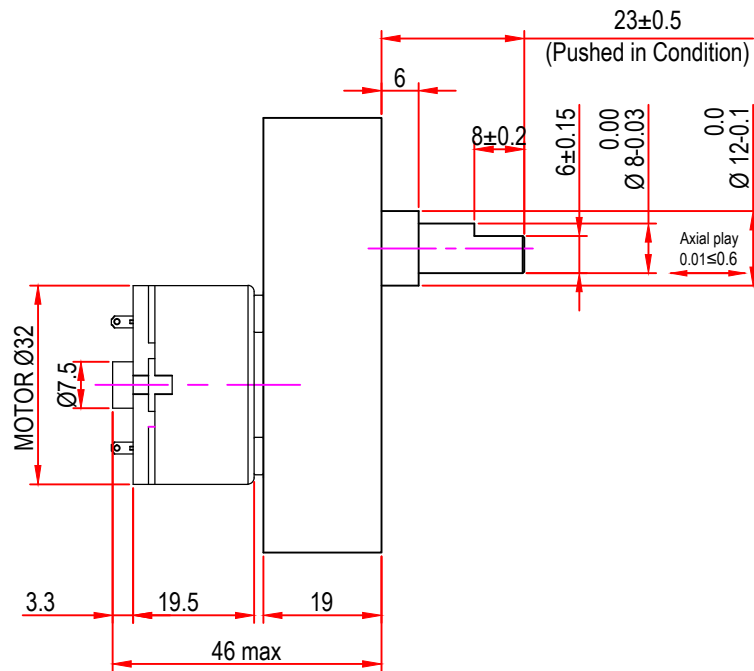
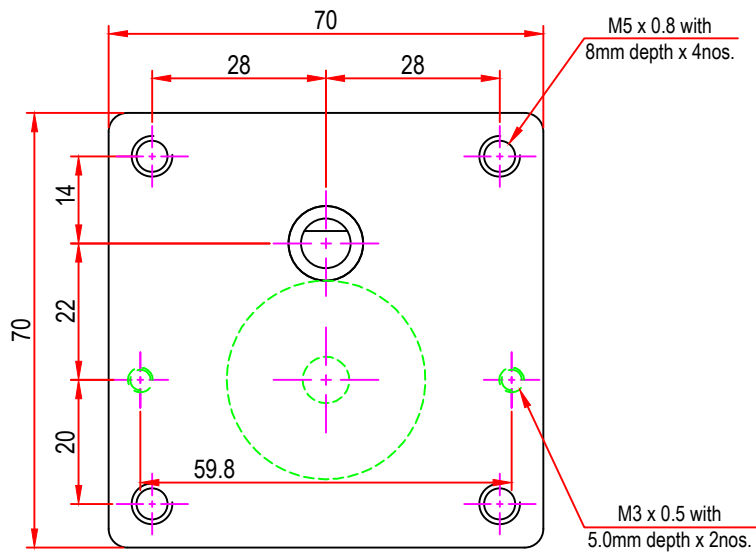

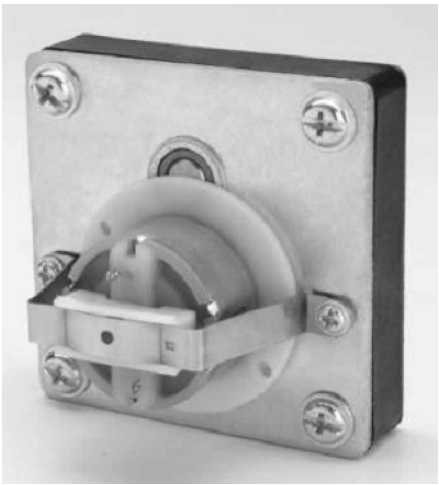
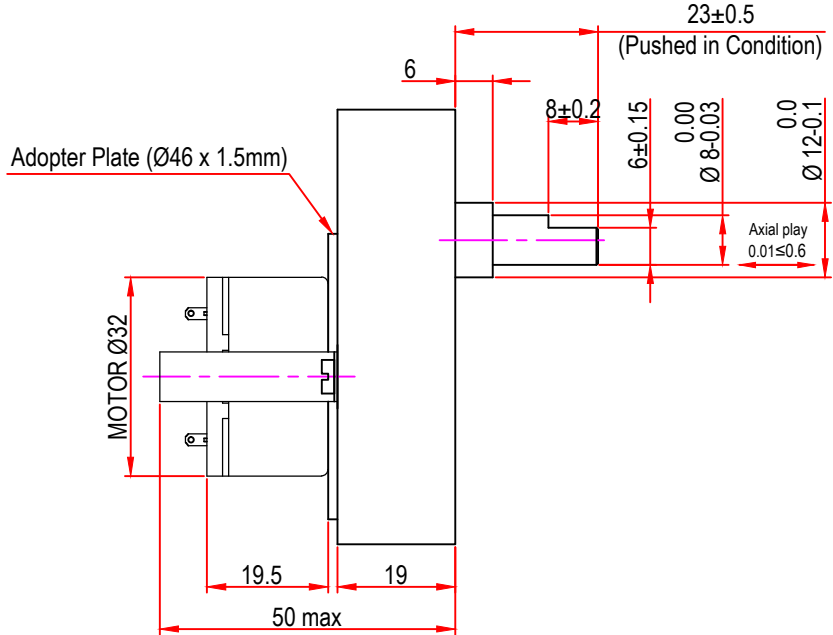
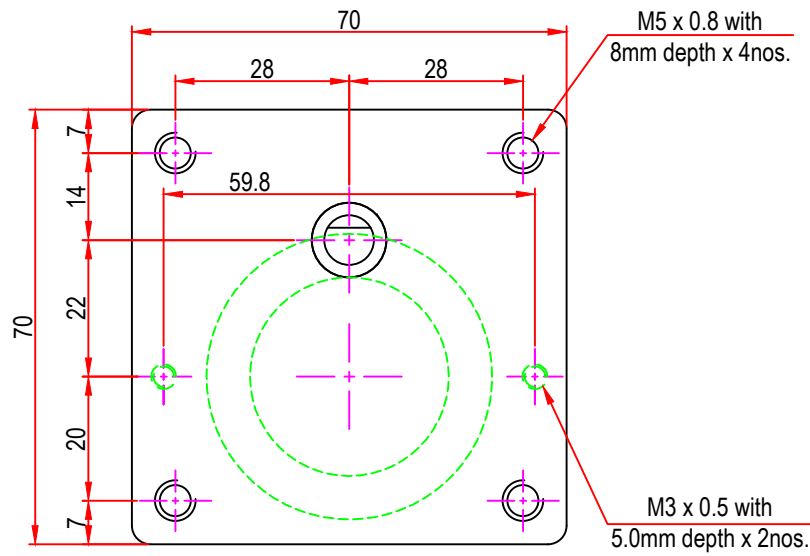


Issue/RevNo	Revision note	Date	Signature	Checked
1.0	Original Issue	01/04/2014	MBM	TNB



 <b>Motion Drivetrionics Pvt Ltd</b>				
Itemref	Client	-		Article No./Reference
Designed by	Checked by	Approved by	Date	Scale
MBM	TNB	TNB	01/04/2014	do not scale
<b>BRAND - MECHTEX</b> Navi Mumbai - 400 709.			<b>DC32aGB8 (INTERNAL SCREW MOUNTING)</b>	
F-MKT-022 VER 3.0		<b>Assembly Drawing</b>		Edition Sheet 1 of 1

Issue/RevNo	Revision note	Date	Signature	Checked
1.0	Original Issue	01/04/2014	MBM	TNB



Itemref	Client	-		Article No./Reference
Designed by	Checked by	Approved by	Date	Scale
MBM	TNB	TNB	01/04/2014	do not scale
<b>BRAND - MECHTEX</b> Navi Mumbai - 400 709.			<b>DC32GB8</b>	
F-MKT-022 VER 3.0			Assembly Drawing	Edition Sheet 1 of 1