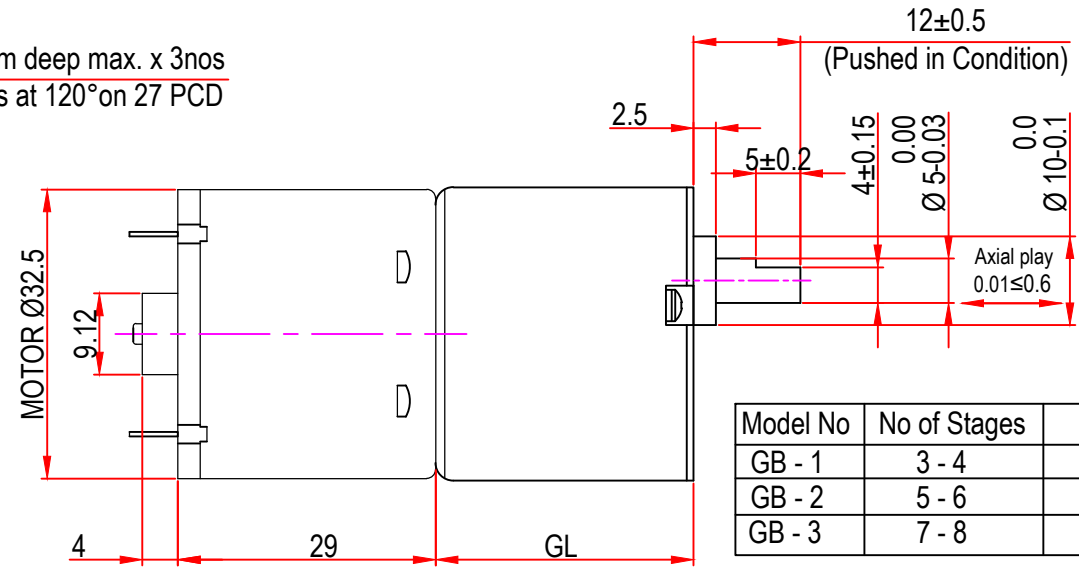
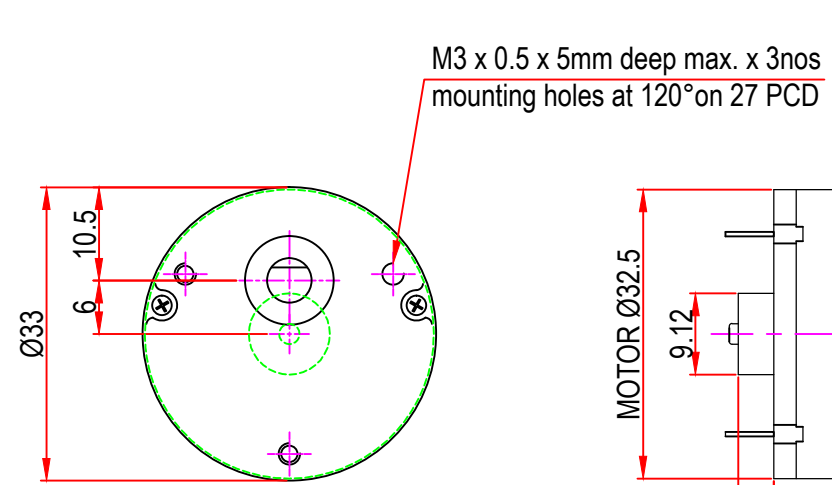


1 | 2 | 3 | 4 | 5 | 6 | 7 | 8

Issue/RevNo	Revision note	Date	Signature	Checked
1.0	Original Issue	01/04/2014	MBM	TNB



Model No	No of Stages	GL
GB - 1	3 - 4	19.7
GB - 2	5 - 6	24.4
GB - 3	7 - 8	29.0



		Motion Drivetrionics Pvt Ltd	
Itemref	Client	-	
Designed by MBM		Checked by TNB	Approved by TNB
Date 01/04/2014		Scale do not scale	
BRAND - MECHTEX Navi Mumbai - 400 709.		DC30GBB	
F-MKT-022 VER 3.0		Assembly Drawing	Edition Sheet 1 of 1

A
B
C
D
E
F

A
B
C
D
E
F

1 | 2 | 3 | 4 | 5 | 6 | 7 | 8