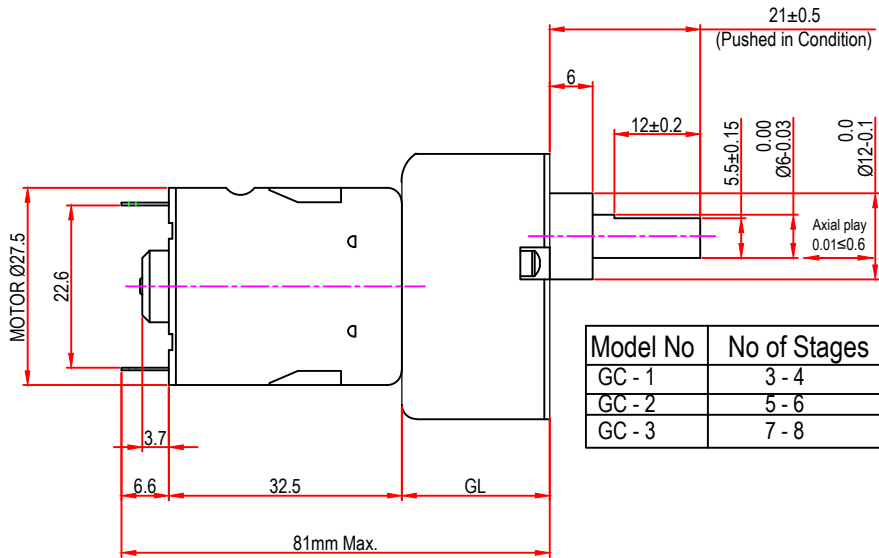
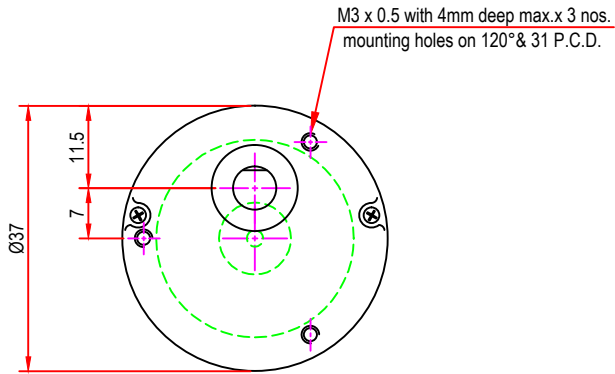



Issue/RevNo	Revision note	Date	Signature	Checked
1.0	Original Issue	01/04/2014	MBM	NSS



Model No	No of Stages	GL
GC - 1	3 - 4	20.6
GC - 2	5 - 6	25.3
GC - 3	7 - 8	29.55



 <b>Motion Drivetrionics Pvt Ltd</b>				
Itemref	Client	-	Article No./Reference	
Designed by	Checked by	Approved by	Date	Scale
MBM	TNB	TNB	01/04/2014	do not scale
<b>BRAND - MECHTEX</b> Navi Mumbai - 400 709.		<b>DC28GBC</b>		
F-MKT-022 VER 3.0		Assembly Drawing		Edition Sheet 1 of 1