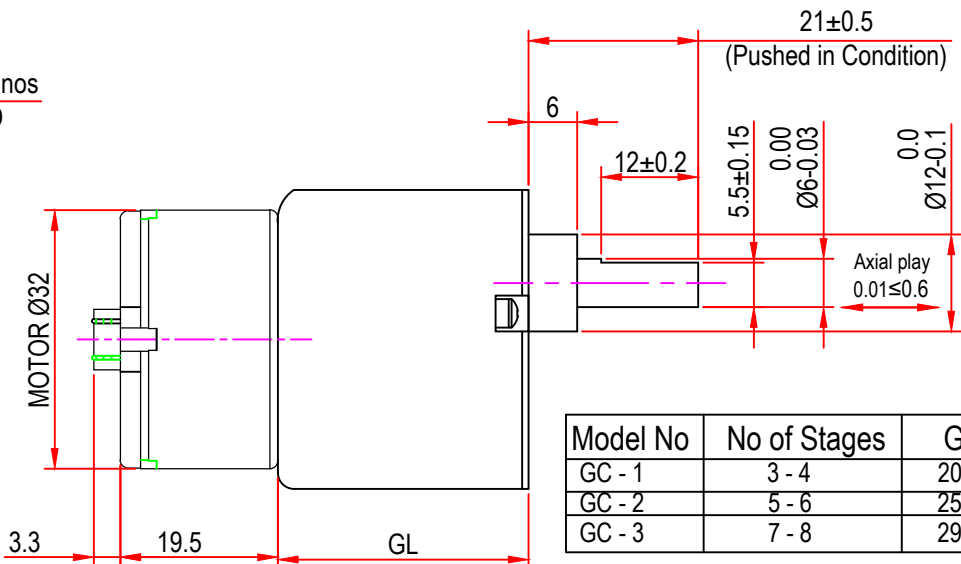
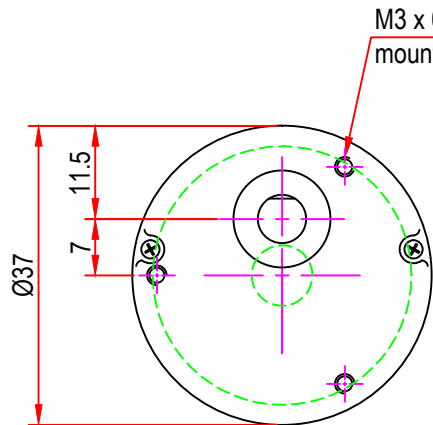
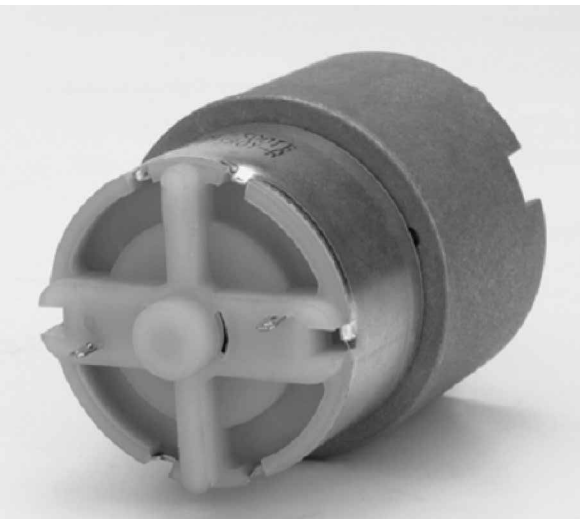



Issue/RevNo	Revision note	Date	Signature	Checked
1.0	Original Issue	01/04/2014	MBM	TNB



Model No	No of Stages	GL
GC - 1	3 - 4	20.6
GC - 2	5 - 6	25.3
GC - 3	7 - 8	29.55



 Motion Drivetronics Pvt Ltd				
Itemref	Client	-		Article No./Reference
Designed by MBM	Checked by TNB	Approved by TNB		Date 01/04/2014
BRAND - MECHTEX Navi Mumbai - 400 709.		DC32GBC		
F-MKT-022 VER 3.0		Assembly Drawing		Edition Sheet 1 of 1