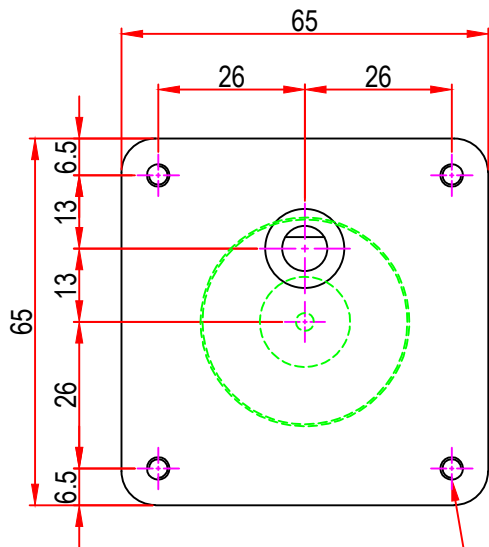
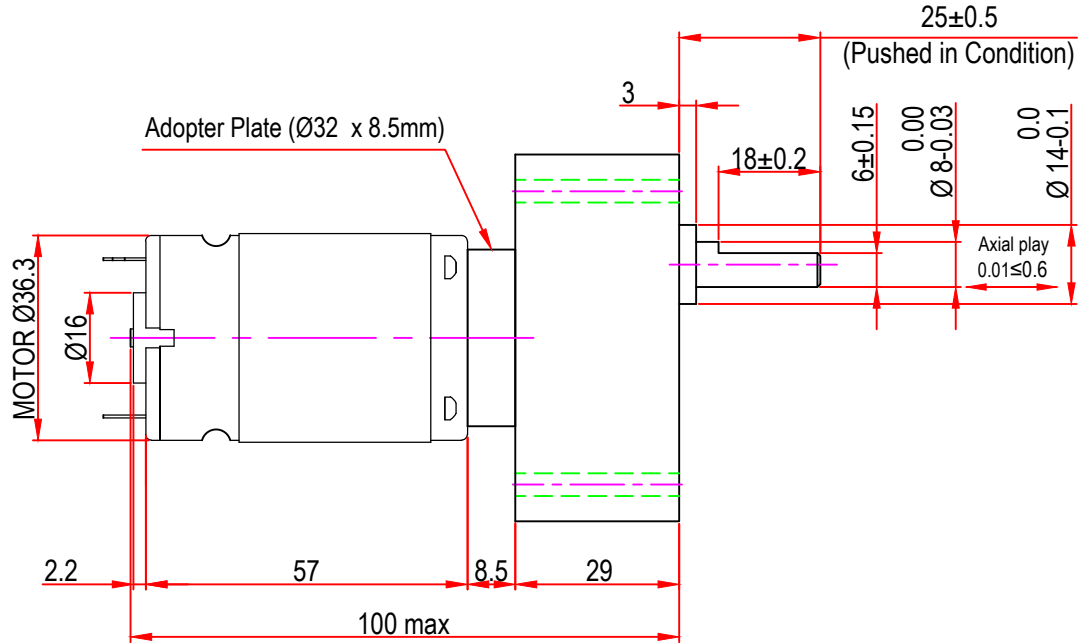



| Issue/RevNo | Revision note | Date | Signature | Checked |
|-------------|----------------|------------|-----------|---------|
| 1.0 | Original Issue | 01/04/2014 | MBM | TNB |



M4 x 0.7 with 10.0mm depth x 4nos.
Other on request.



| | | | |
|--|--------|--------------------|-------------------------|
|  Motion Drivetronics Pvt Ltd | | | |
| Itemref | Client | - | |
| Designed by MBM | | Checked by TNB | Approved by TNB |
| Date 01/04/2014 | | Scale do not scale | |
| BRAND - MECHTEX Navi Mumbai - 400 709. | | DC38GBV | |
| F-MKT-022 VER 3.0 | | Assembly Drawing | Edition Sheet 1 of 1 |