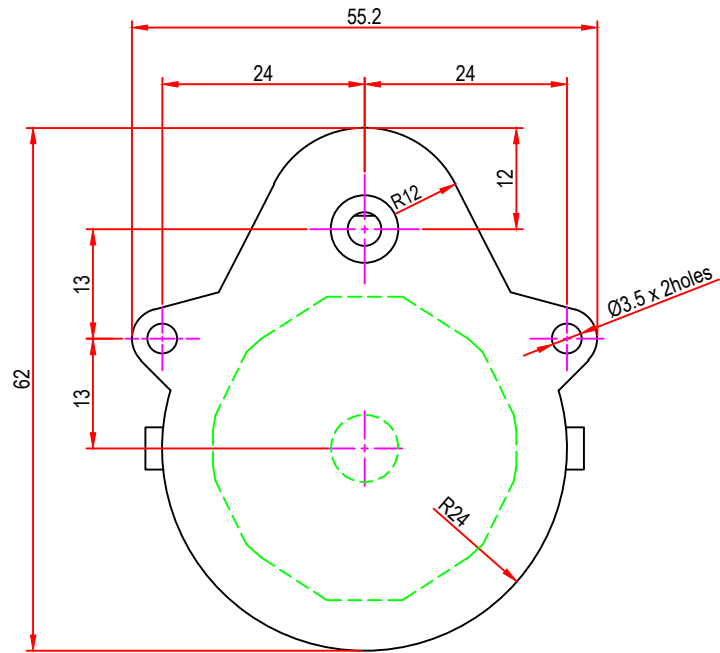
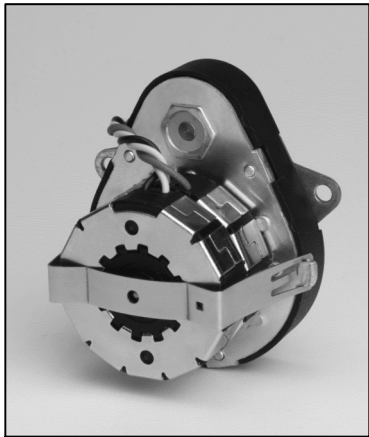
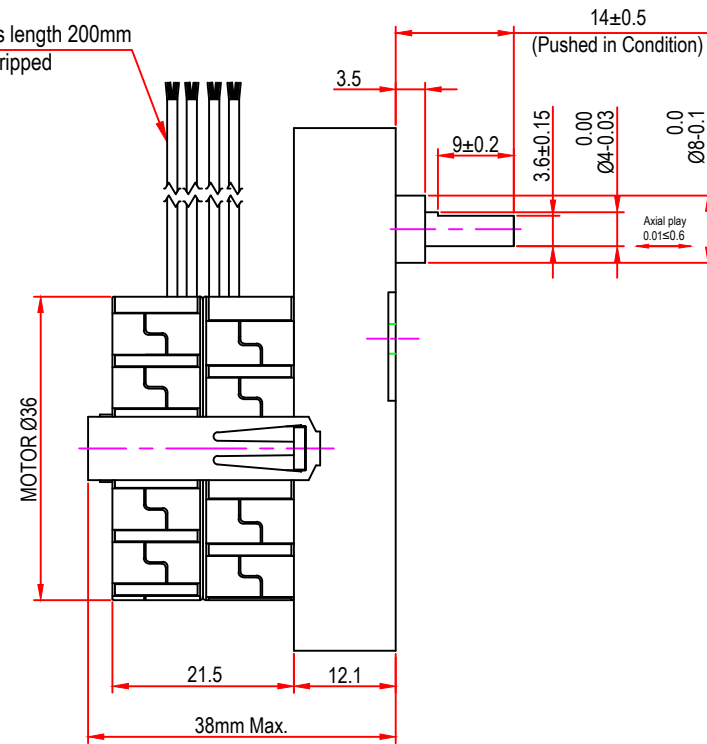


| Issue/RevNo | Revision note | Date | Signature | Checked |
|-------------|----------------|------------|-----------|---------|
| 1.0 | Original Issue | 01/04/2014 | MBM | TNB |



26AWG Leads length 200mm
10mm ends stripped



| | | | | |
|--|-------------------|--------------------|--------------------|----------------------------|
| | | | | |
| Itemref | Client | - | | Article No./Reference |
| Designed by MBM | Checked by TNB | Approved by TNB | Date 01/04/2014 | Scale do not scale |
| BRAND - MECHTEX Navi Mumbai - 400 709. | | | MTS3a2 | |
| F-MKT-022 VER 3.0 | | | Assembly Drawing | Edition Sheet 1 of 1 |