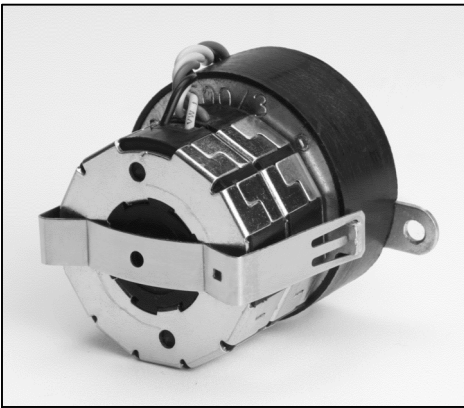
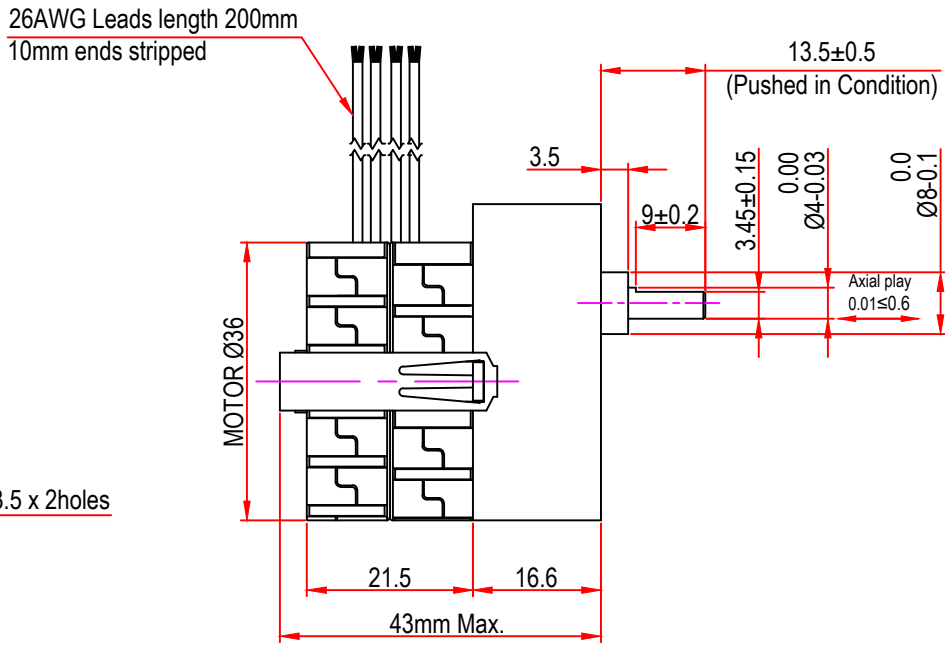
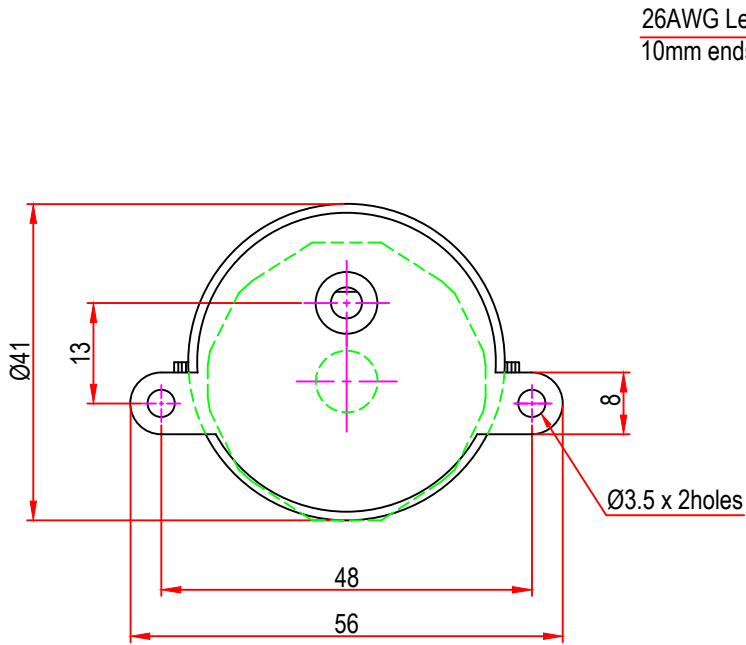



Issue/RevNo	Revision note	Date	Signature	Checked
1.0	Original Issue	01/04/2014	MBM	NSS



 <b>Motion Drivetronics Pvt Ltd</b>				
Itemref	Client	-		Article No./Reference
Designed by MBM	Checked by NSS	Approved by TNB	Date 01/04/2014	Scale do not scale
<b>BRAND - MECHTECH</b> Navi Mumbai - 400 709.			<b>MTS3b380CP</b>	
F-MKT-022 VER 3.0			Assembly Drawing	Edition Sheet 1 of 1