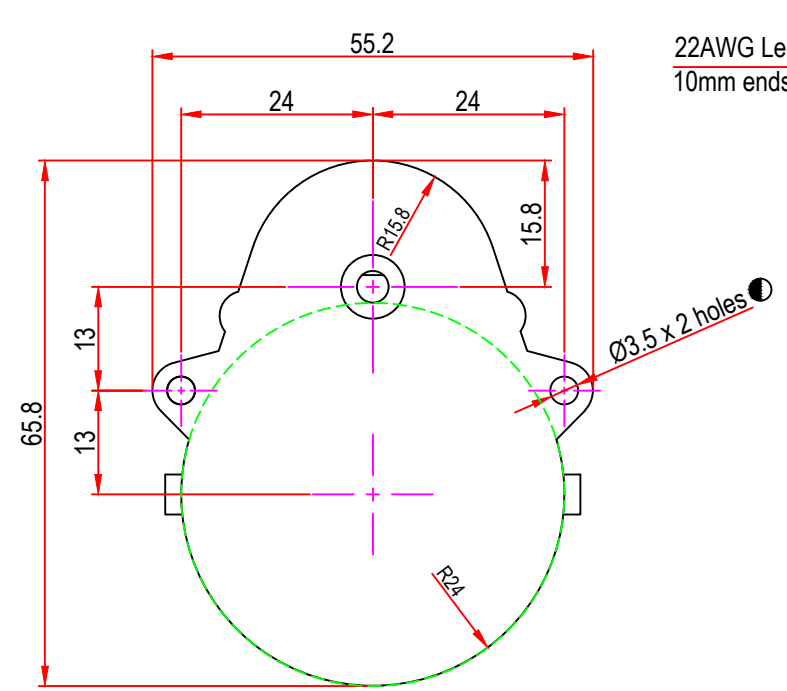
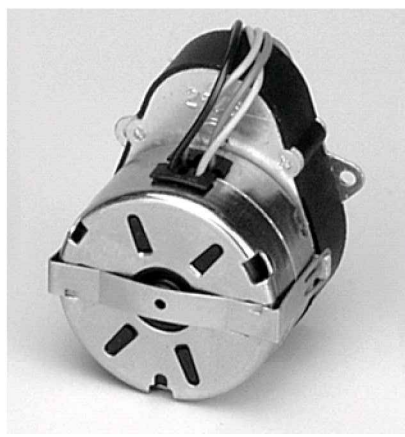
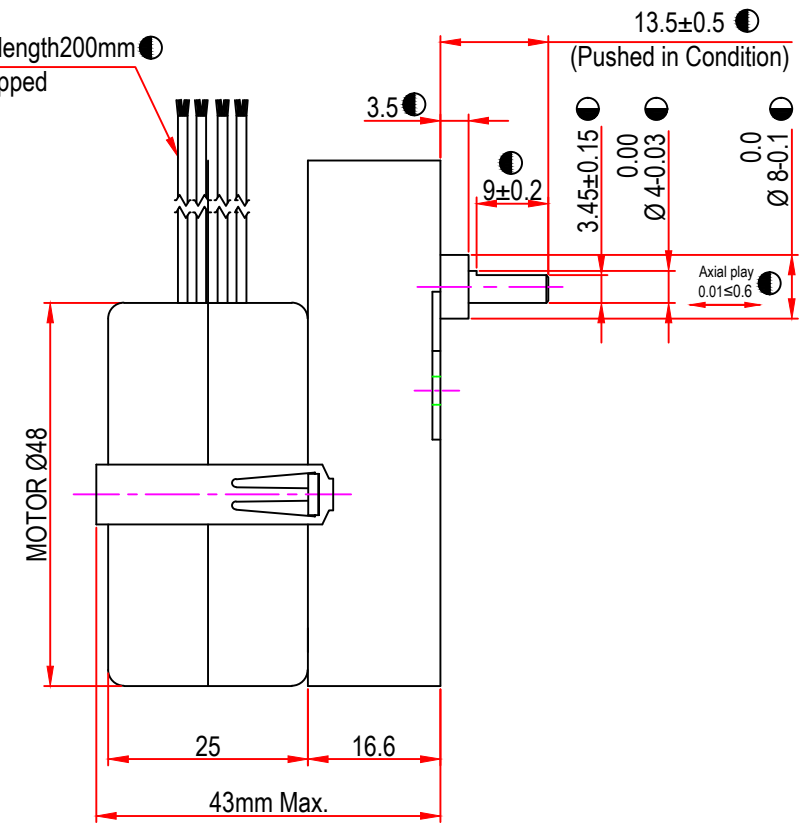



Issue/RevNo	Revision note	Date	Signature	Checked
1.0	Original Issue	01/04/2014	MBM	TNB



22AWG Leads length 200mm  
10mm ends stripped



 <b>Motion Drivetronics Pvt Ltd</b>			
Itemref	Client	-	
Designed by MBM		Checked by TNB	Approved by TNB
Article No./Reference		Date 01/04/2014	Scale do not scale
<b>BRAND - MECHTEX</b> Navi Mumbai - 400 709.		<b>MTS55P</b>	
F-MKT-022 VER 3.0		<b>Assembly Drawing</b>	Edition Sheet 1 of 1