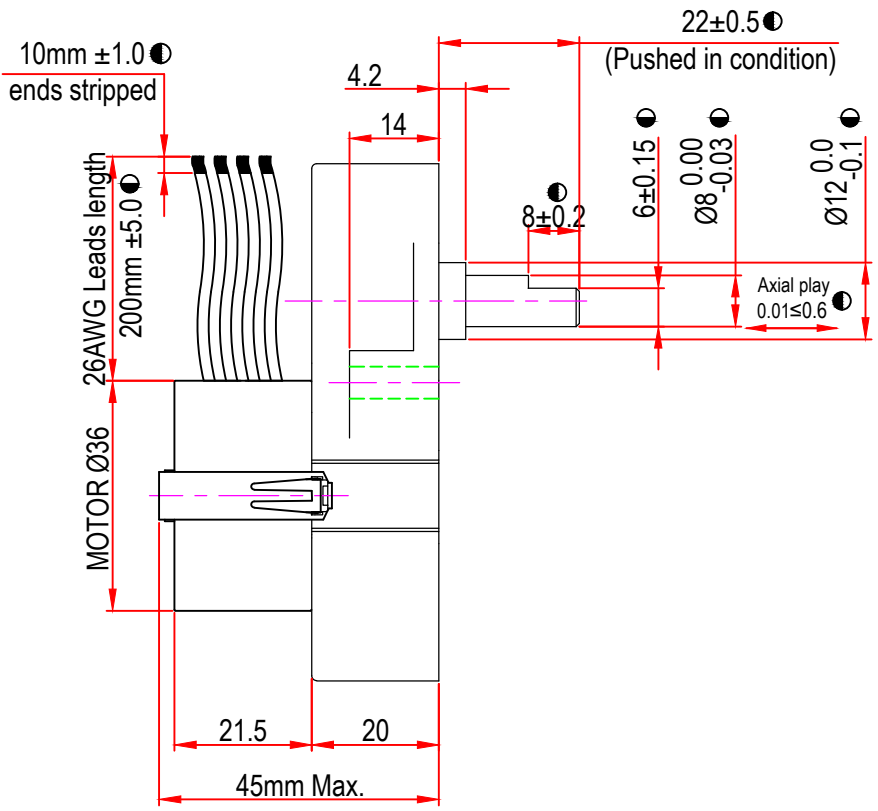
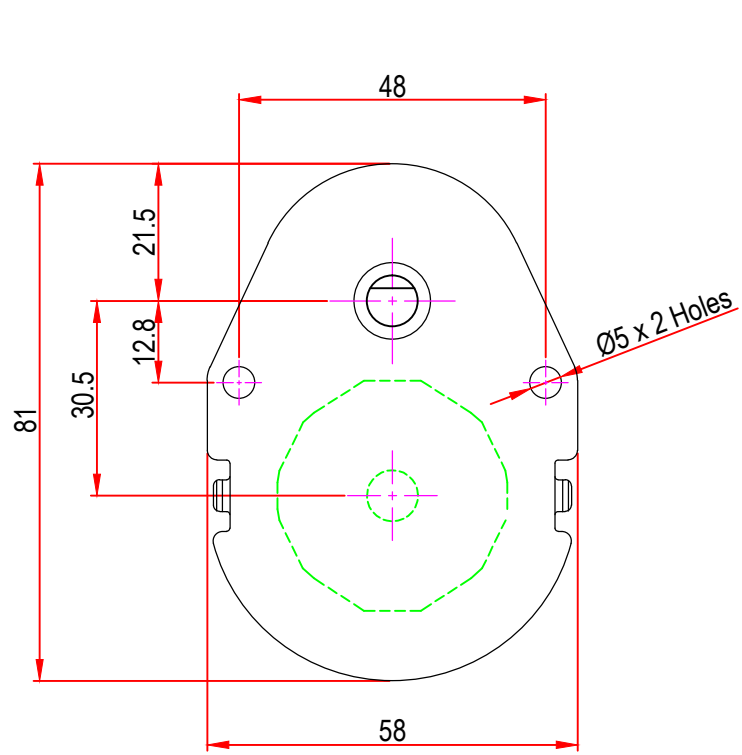



Issue/RevNo	Revision note	Date	Signature	Checked
1.0	Original Issue	18/10/2017	GHD	TNB



 <b>Motion Drivetrionics Pvt Ltd</b>				
Itemref	Client	-		Article No./Reference
Designed by GHD	Checked by TNB	Approved by TNB	Date 18/10/2017	Scale do not scale
<b>BRAND - MECHTEX</b> Navi Mumbai - 400 709.			<b>MTS3bGB7 GEAR BOX</b>	
F-MKT-022 VER 3.0			Assembly Drawing	Edition Sheet 1 of 1