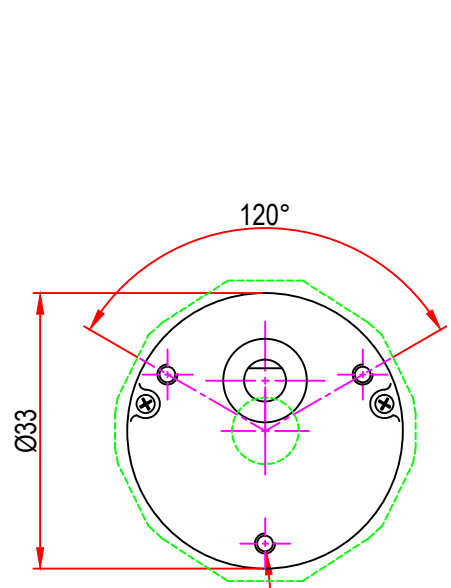
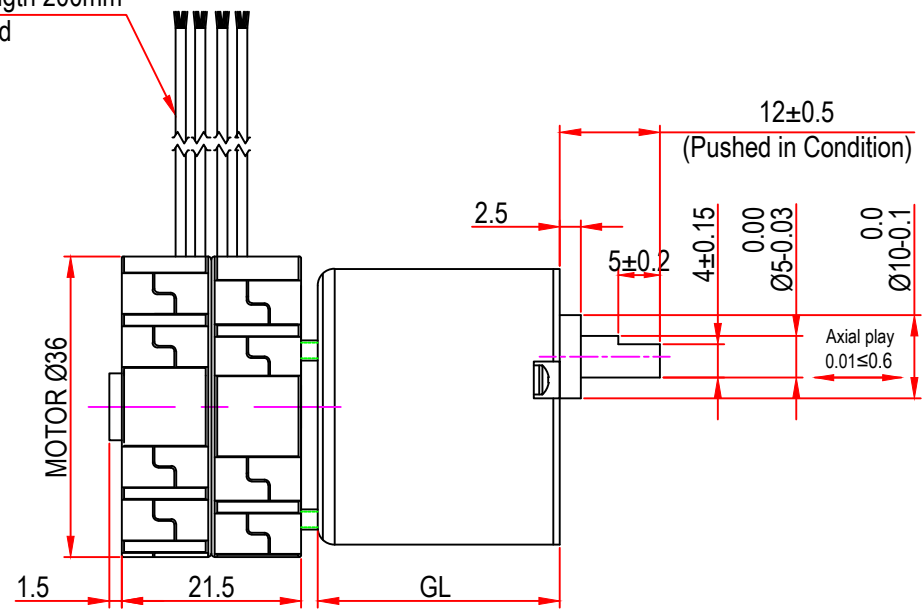


Issue/RevNo	Revision note	Date	Signature	Checked
1.0	Original Issue	01/04/2014	MBM	TNB



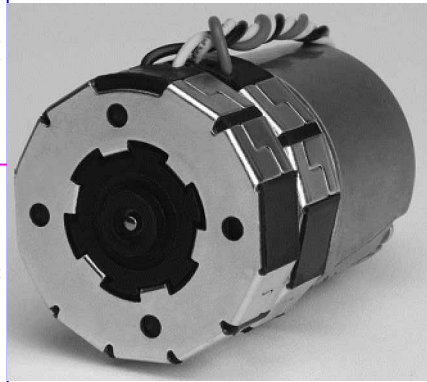
M3 x 0.5 x 5mm deep max. x 3 nos.
mounting holes at 120° On 27 PCD


26AWG Leads length 200mm
10mm end stripped



Model No	No of Stages	GL
GB - 1*	3 - 4	19.7
GB - 2	5 - 6	24.4
GB - 3	7 - 8	29.0

*Only On Special Request



 Motion Drivetrionics Pvt Ltd						
Itemref	Client	-		Article No./Reference		
Designed by MBM	Checked by TNB	Approved by TNB	Date 01/04/2014	Scale do not scale		
BRAND - MECHTEX Navi Mumbai - 400 709.			MTS3bGBB			
F-MKT-022 VER 3.0			Assembly Drawing	<table border="1"> <tr> <td>Edition</td> <td>Sheet 1 of 1</td> </tr> </table>	Edition	Sheet 1 of 1
Edition	Sheet 1 of 1					