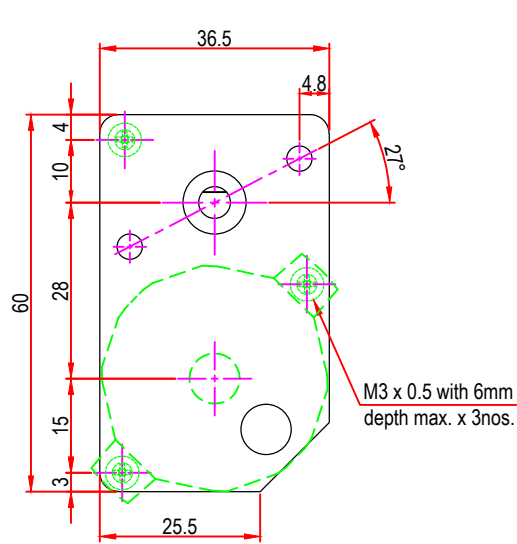
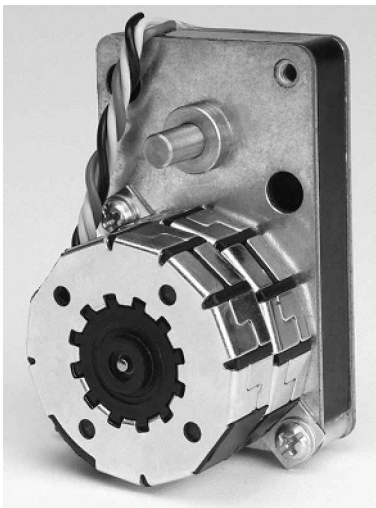
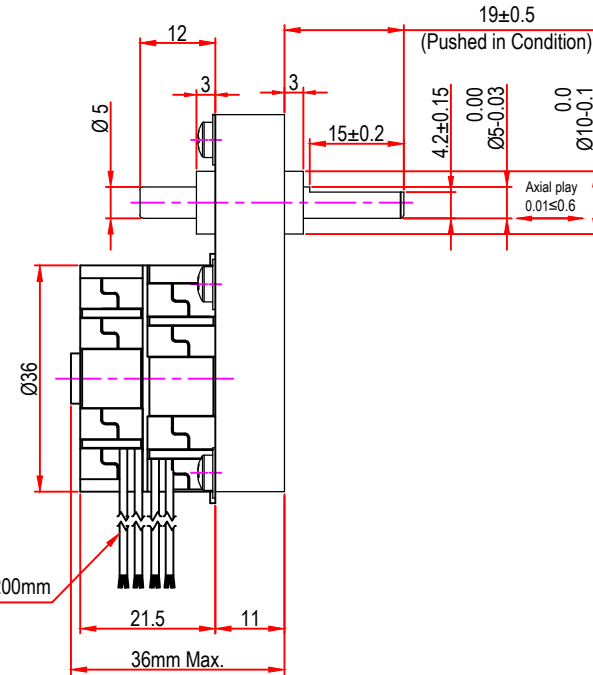



| Issue/RevNo | Revision note | Date | Signature | Checked |
|-------------|--|------------|-----------|---------|
| 1.0 | Original Issue | 01/04/2014 | MBM | NSS |
| 1.1 | Changed shaft from round shaft to slotted (Customised) shaft | 07/09/2015 | MBM | NSS |



26AWG Lead length 200mm
10mm ends stripped



| | | | |
|--|--------|-------------------------|----------------------------|
|  Motion Drivetronics Pvt. Ltd. | | | |
| Itemref | Client | - | |
| Designed by MBM | | Checked by TNB | Approved by TNB |
| Article No. / Reference | | Date 01/04/2014 | Scale do not scale |
| BRAND - MECHTEX Navi Mumbai - 400 709. | | MTS3aGBL | |
| F-MKT-022 VER 3.0 | | Assembly Drawing | Edition Sheet 1 of 1 |