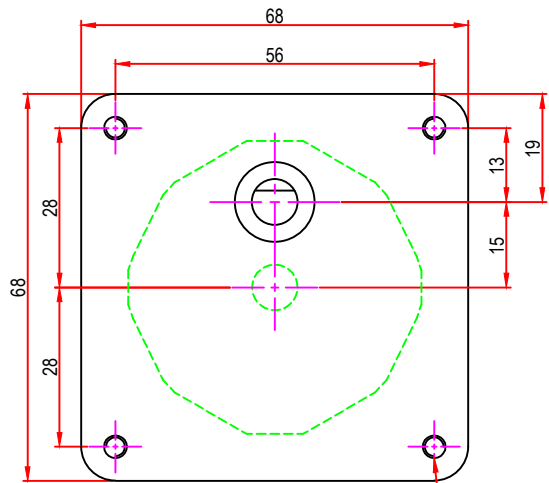
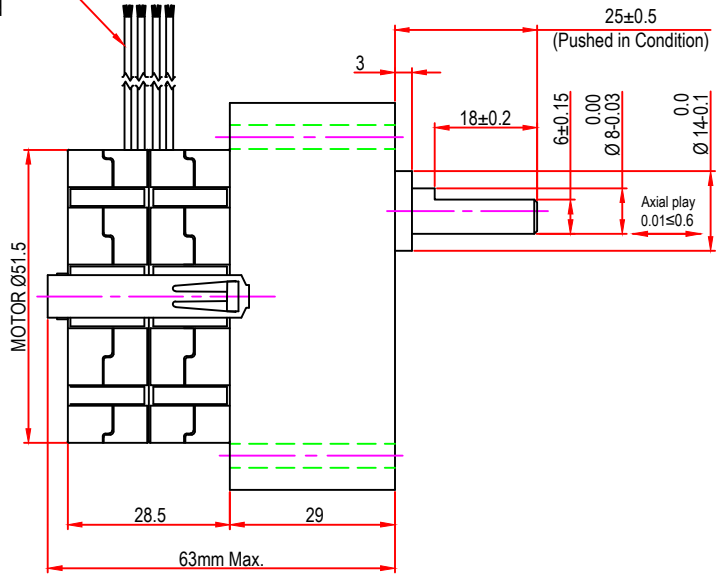


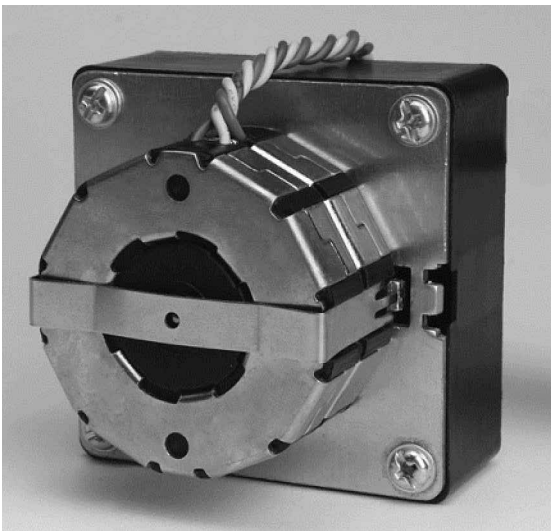
Issue/RevNo	Revision note	Date	Signature	Checked
1.0	Original Issue	01/04/2014	MBM	TNB




22AWG Leads length 200mm  
10mm ends stripped



M4 x 0.7 with 8.0mm depth x 4nos.  
other on request.



 <b>Motion Drivetrionics Pvt Ltd</b>				
Itemref	Client	-		Article No./Reference
Designed by MBM	Checked by TNB	Approved by TNB	Date 01/04/2014	Scale do not scale
<b>BRAND - MECHTEX</b> Navi Mumbai - 400 709.			<b>MTS4aU</b>	
<b>F-MKT-022 VER 3.0</b>			<b>Assembly Drawing</b>	Edition Sheet 1 of 1