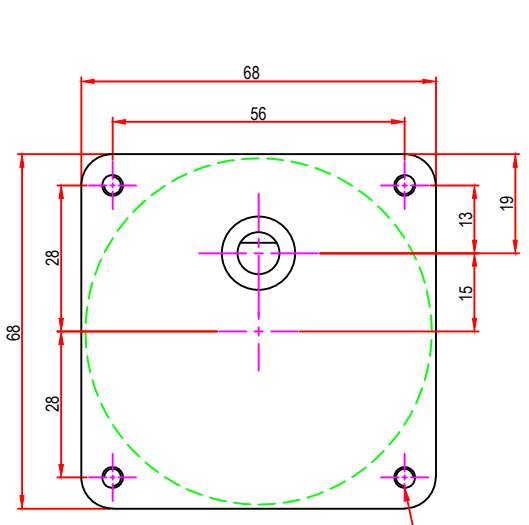


1 2 3 4 5 6 7 8

Issue/RevNo	Revision note	Date	Signature	Checked
1.0	Original Issue	01/04/2014	MBM	TNB

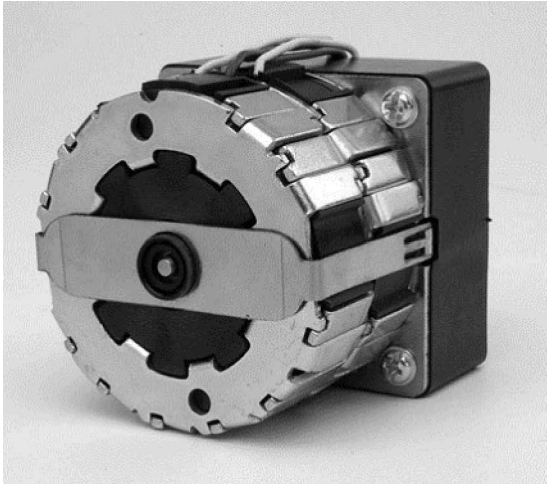
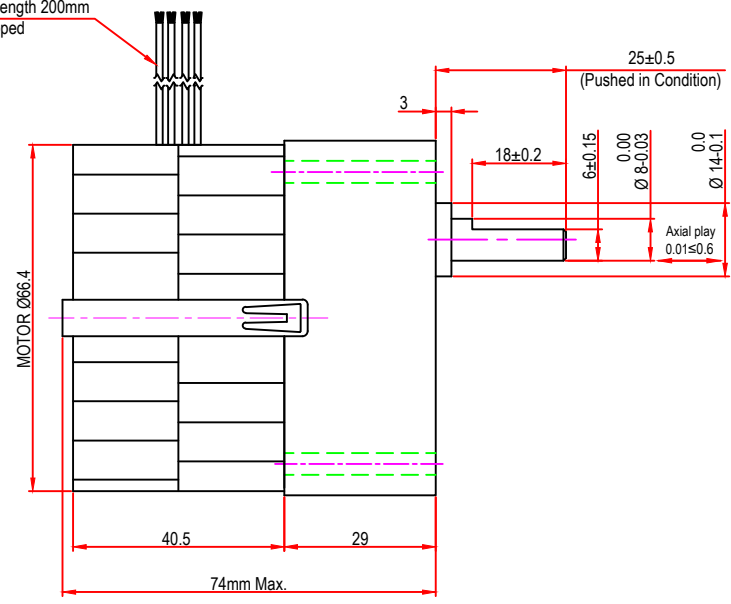
A
B
C
D
E
F


A
B
C
D
E
F



M4 x 0.7 with 8.0mm depth x 4nos.
other on request.

22 AWG Leads length 200mm
10mm ends stripped



 Motion Drivetrionics Pvt Ltd						
Itemref	Client	-		Article No./Reference		
Designed by MBM	Checked by TNB	Approved by TNB	Date 01/04/2014	Scale do not scale		
BRAND - MECHTECH Navi Mumbai - 400 709.			MTS8cU			
F-MKT-022 VER 3.0			Assembly Drawing	<table border="1"> <tr> <td>Edition</td> <td>Sheet 1 of 1</td> </tr> </table>	Edition	Sheet 1 of 1
Edition	Sheet 1 of 1					

1 2 3 4 5 6 7 8