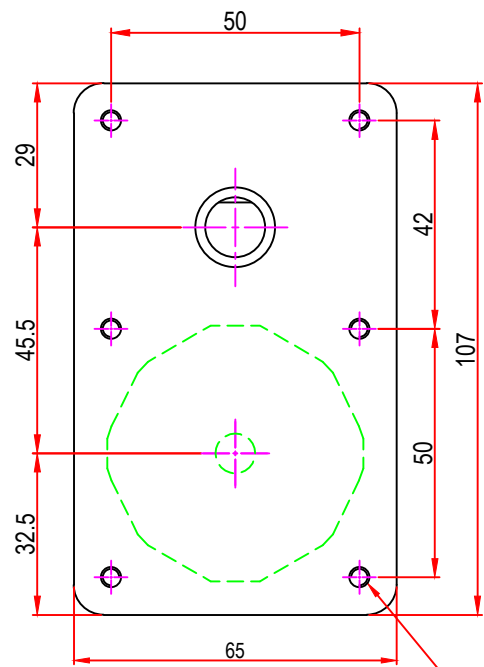
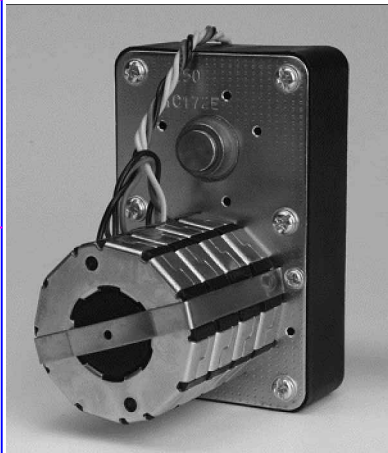
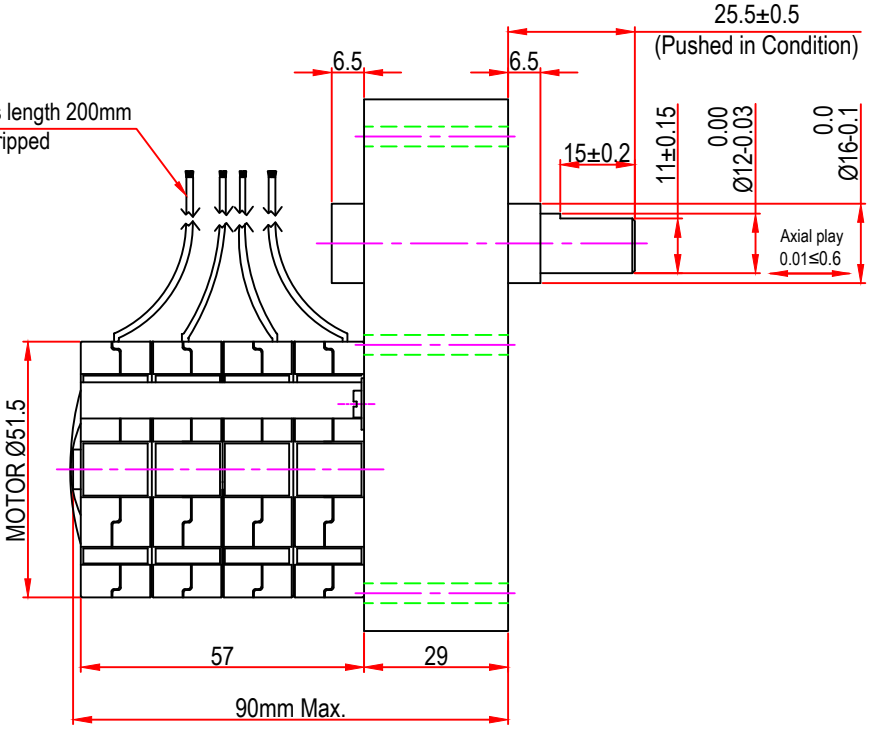



Issue/RevNo	Revision note	Date	Signature	Checked
1.0	Original Issue	01/04/2014	MBM	TNB



M4 x 0.7 with 8mm depth x 6nos

22AWG Leads length 200mm
10mm ends stripped



 Motion Drivetronics Pvt Ltd								
Itemref	Client	-		Article No./Reference				
Designed by	Checked by	Approved by	Date	Scale				
MBM	TNB	TNB	01/04/2014	do not scale				
BRAND - MECHTEX Navi Mumbai - 400 709.			MTSD4bW					
F-MKT-022 VER 3.0			Assembly Drawing	<table border="1"> <tr> <td>Edition</td> <td>Sheet</td> </tr> <tr> <td></td> <td>1 of 1</td> </tr> </table>	Edition	Sheet		1 of 1
Edition	Sheet							
	1 of 1							