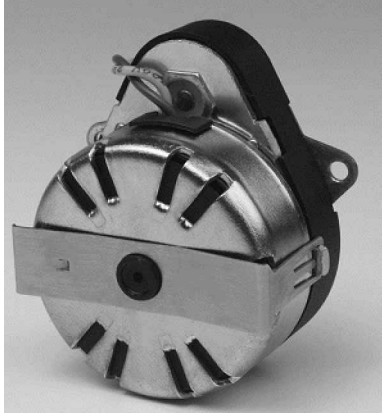
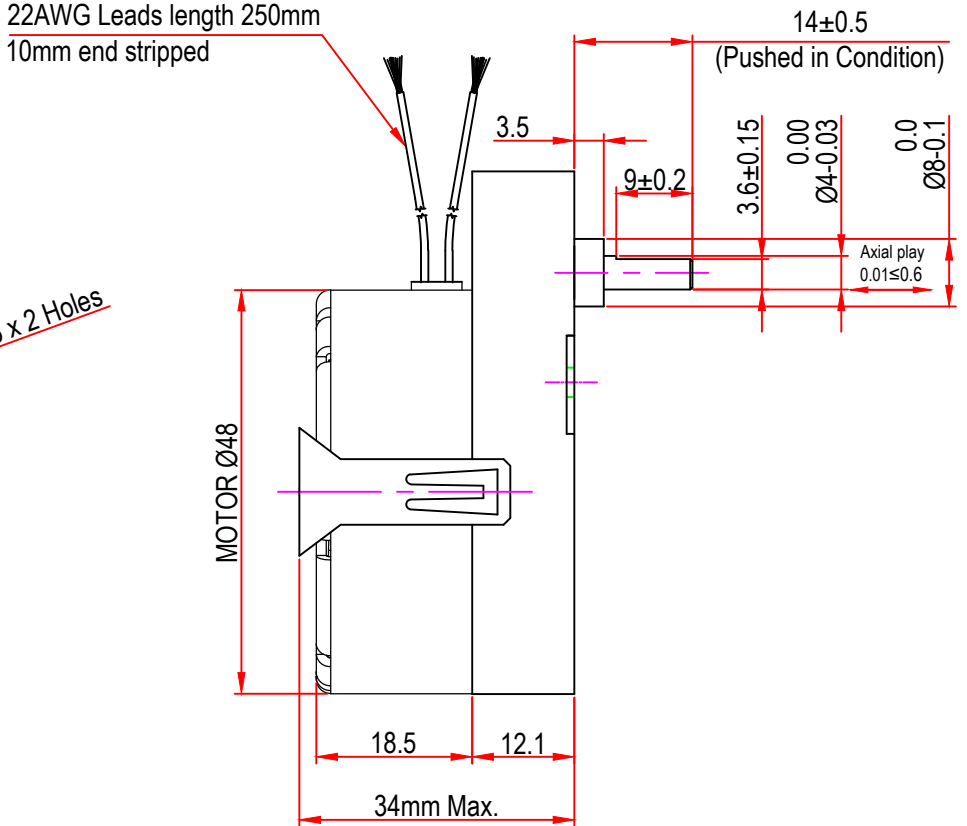
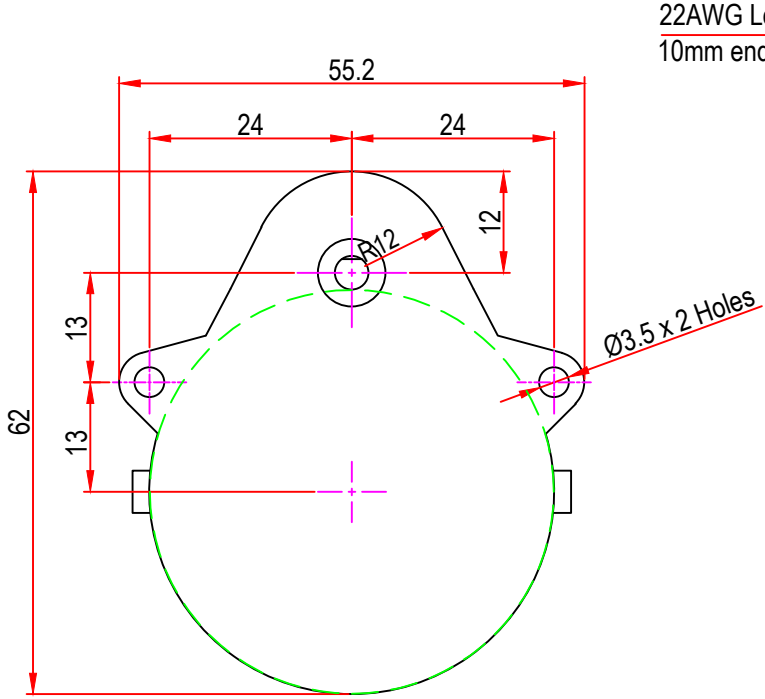



| Issue/RevNo | Revision note | Date | Signature | Checked |
|-------------|--|------------|-----------|---------|
| 1.0 | Original Issue | 01/04/2014 | MBM | TNB |
| 1.1 | Lead wire length changed from 200mm to 250mm | 23/12/2015 | MBM | TNB |



| | | | | |
|---|-------------------|--------------------|--------------------|----------------------------|
|  Motion Drivetrionics Pvt Ltd | | | | |
| Itemref | Client | - | | Article No./Reference |
| Designed by MBM | Checked by TNB | Approved by TNB | Date 01/04/2014 | Scale do not scale |
| BRAND - MECHTEX Navi Mumbai - 400 709. | | | MT6b2 | |
| F-MKT-022 VER 3.0 | | | Assembly Drawing | Edition Sheet 1 of 1 |