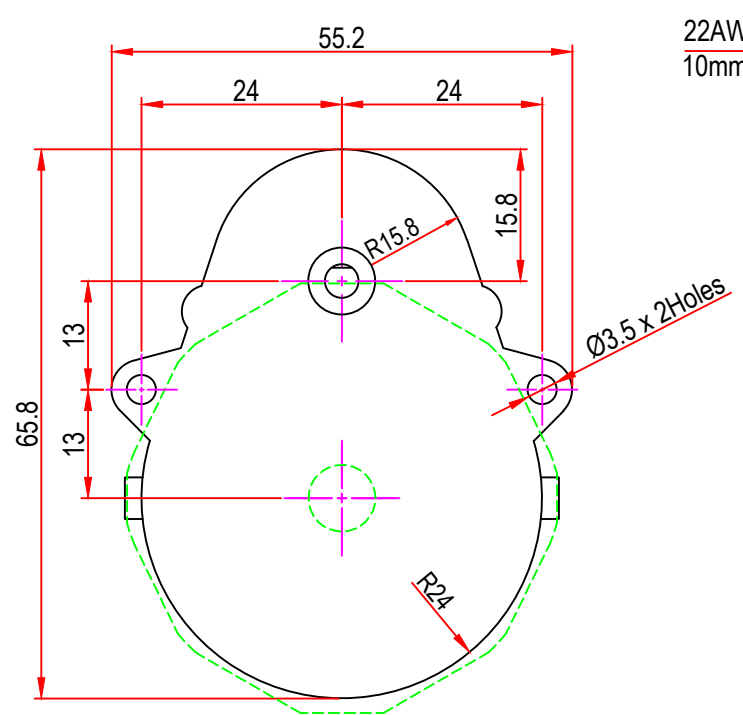
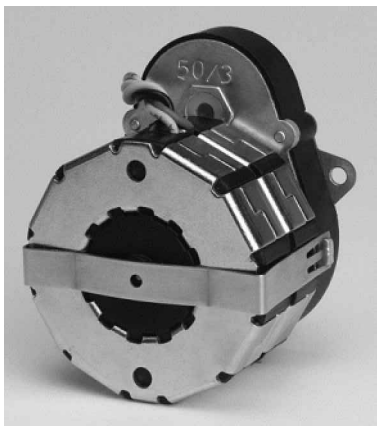
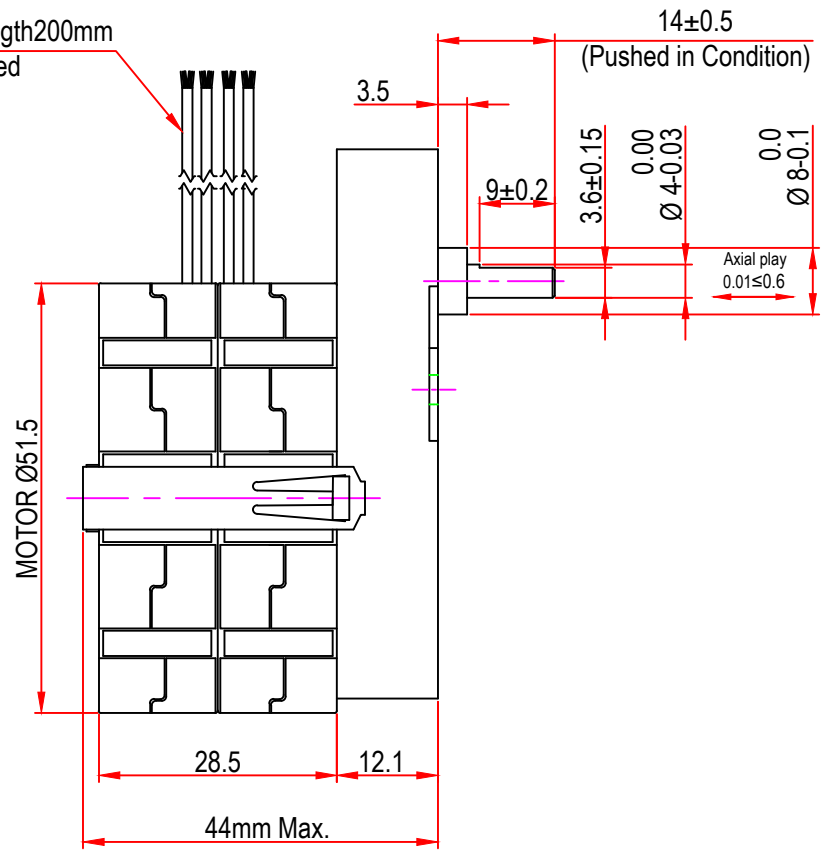


Issue/RevNo	Revision note	Date	Signature	Checked
1.0	Original Issue	01/04/2014	MBM	TNB



22AWG Leads length 200mm
10mm ends stripped



Itemref		Client		Article No./Reference
Designed by MBM		Checked by TNB	Approved by TNB	Date 01/04/2014
BRAND - MECHTEX Navi Mumbai - 400 709.			MTR4a5H	
F-MKT-022 VER 3.0			Assembly Drawing	Edition Sheet 1 of 1