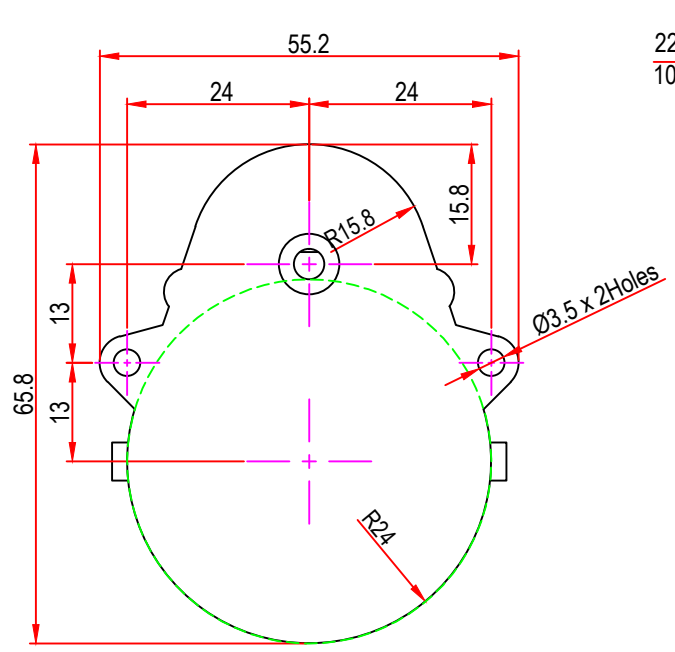
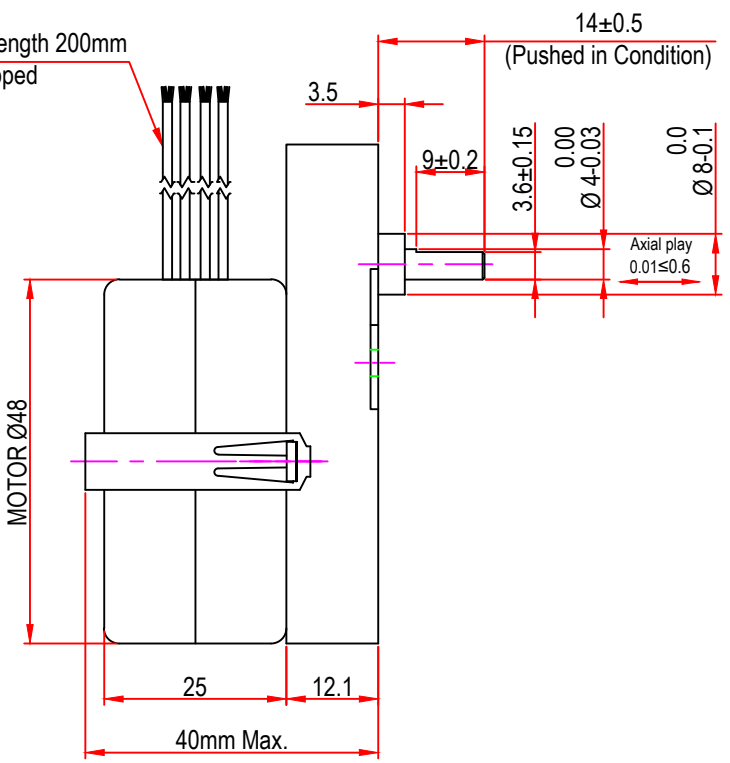



Issue/RevNo	Revision note	Date	Signature	Checked
1.0	Original Issue	01/04/2014	MBM	TNB



22AWG Leads length 200mm
10mm ends stripped



 Motion Drivetronics Pvt Ltd			
Itemref	Client	-	
Designed by MBM		Checked by TNB	Approved by TNB
Article No./Reference		Date 01/04/2014	Scale do not scale
BRAND - MECHTEX Navi Mumbai - 400 709.		MTR55H	
F-MKT-022 VER 3.0		Assembly Drawing	Edition Sheet 1 of 1