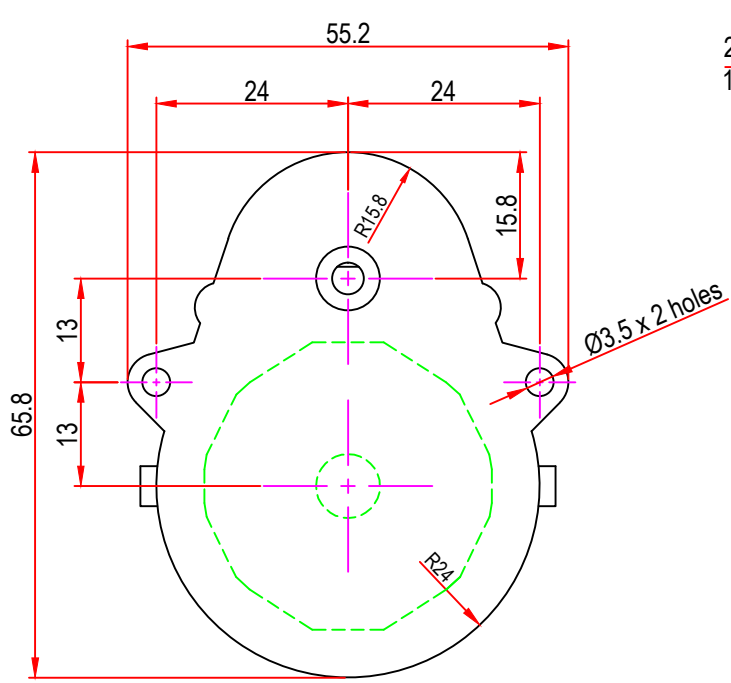
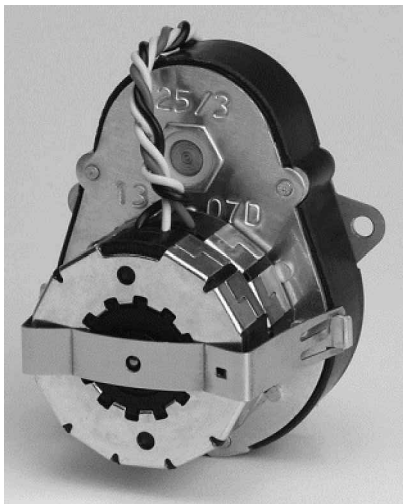
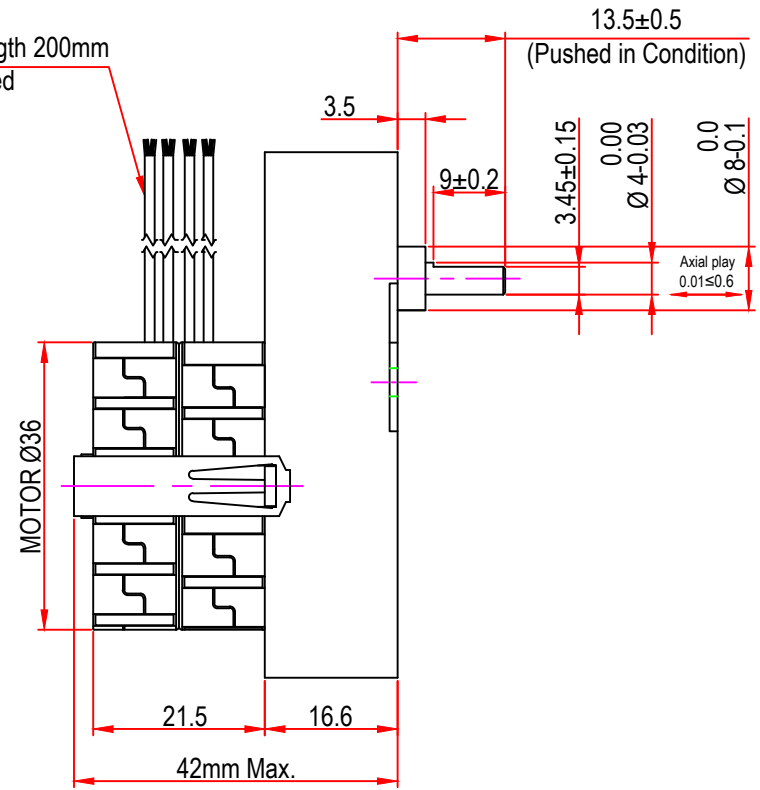



Issue/RevNo	Revision note	Date	Signature	Checked
1.0	Original Issue	01/04/2014	MBM	TNB



26AWG Leads length 200mm  
10mm ends stripped



 <b>Motion Drivetrónica Pvt Ltd</b>						
Itemref	Client	-		Article No./Reference		
Designed by MBM	Checked by TNB	Approved by TNB	Date 01/04/2014	Scale do not scale		
<b>BRAND - MECHTEX</b> Navi Mumbai - 400 709.			<b>MTR3a5P</b>			
F-MKT-022 VER 3.0			Assembly Drawing	<table border="1"> <tr> <td>Edition</td> <td>Sheet 1 of 1</td> </tr> </table>	Edition	Sheet 1 of 1
Edition	Sheet 1 of 1					