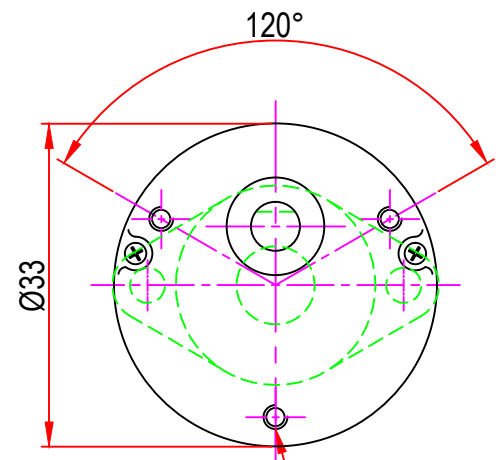
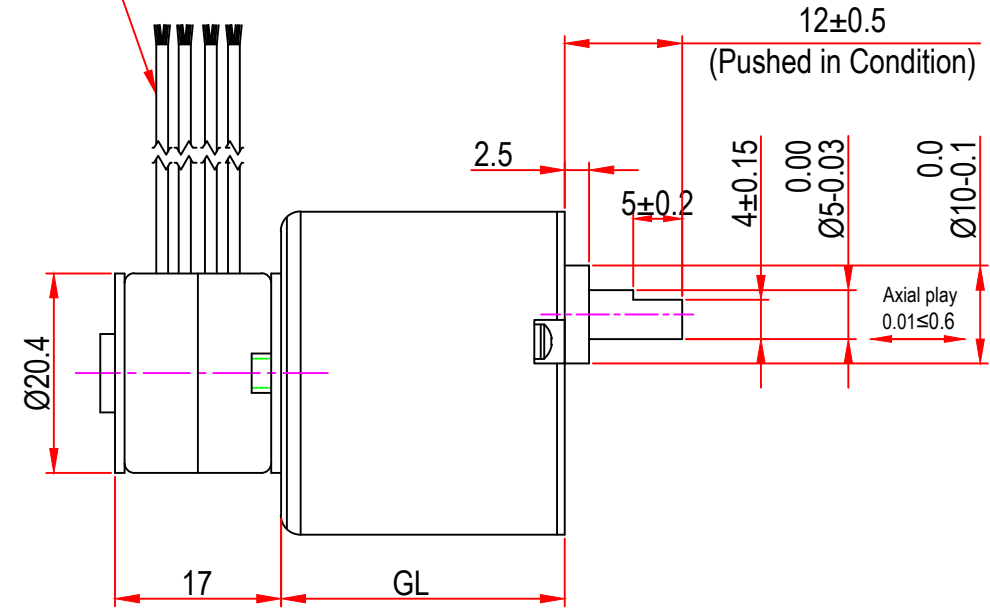


Issue/RevNo	Revision note	Date	Signature	Checked
1.0	Original Issue	01/04/2014	MBM	TNB

30AWG Leads length 200mm
10mm ends stripped

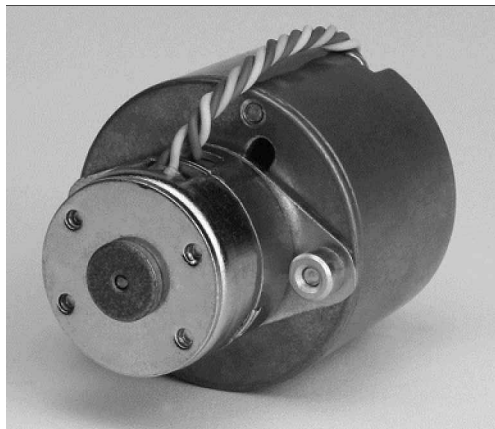


M3 x 0.5 x 5mm deep max x 3nos
mounting holes at 120° on 27 PCD



Model No	No of Stages	GL
GB - 1	3 - 4	19.7
GB - 2	5 - 6	24.4
GB - 3	7 - 8	29.0

*Only On Special Request



		Motion Drivetrionics Pvt Ltd	
Itemref	Client	-	
Designed by MBM		Checked by TNB	Approved by TNB
Date 01/04/2014		Scale do not scale	
Article No./Reference		MTR2bGBB	
Edition		Sheet 1 of 1	
F-MKT-022 VER 3.0		Assembly Drawing	