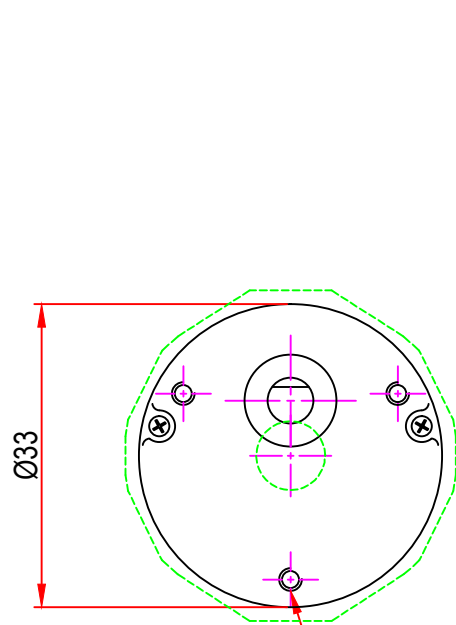
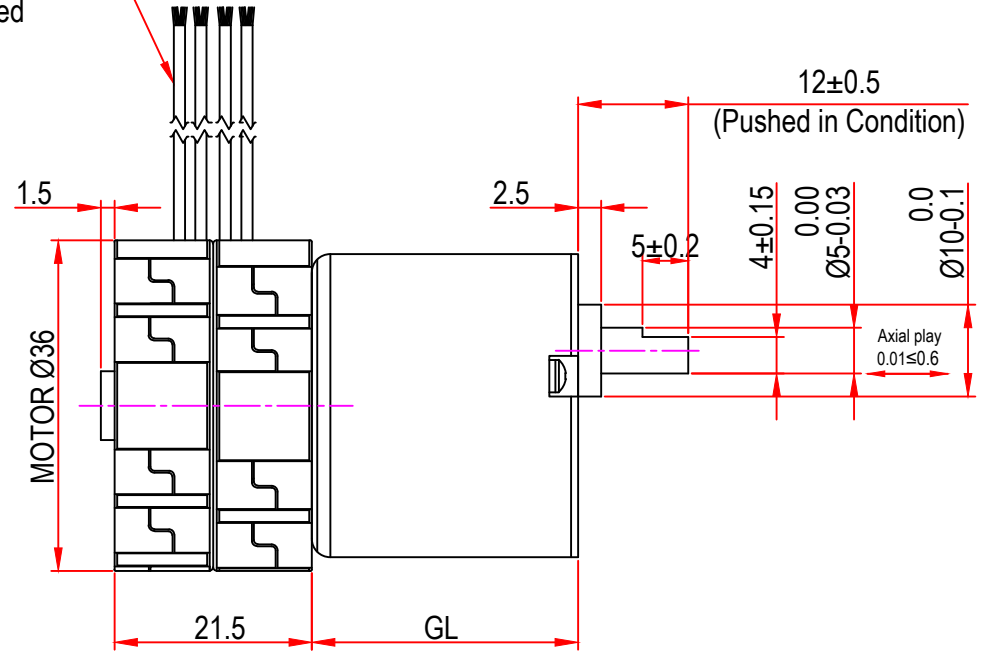


Issue/RevNo	Revision note	Date	Signature	Checked
1.0	Original Issue	01/04/2014	MBM	TNB



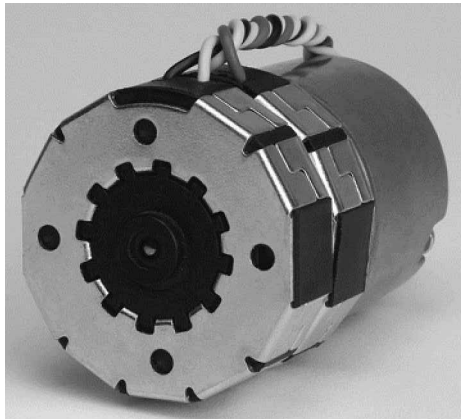
M3 x 0.5 x 5mm deep max. x 3nos.
mounting holes at 120° On 27 PCD


26AWG Leads length 200mm
10mm ends stripped



Model No	No of Stages	GL
GB - 1*	3 - 4	19.7
GB - 2	5 - 6	24.4
GB - 3	7 - 8	29.0

*Only On Special Request



 Motion Drivetrionics Pvt Ltd			
Itemref	Client	Article No./Reference	
Designed by MBM	Checked by TNB	Approved by TNB	Date 01/04/2014
BRAND - MECHTEX Navi Mumbai - 400 709.		MTR3aGBB	
F-MKT-022 VER 3.0		Assembly Drawing	Edition Sheet 1 of 1