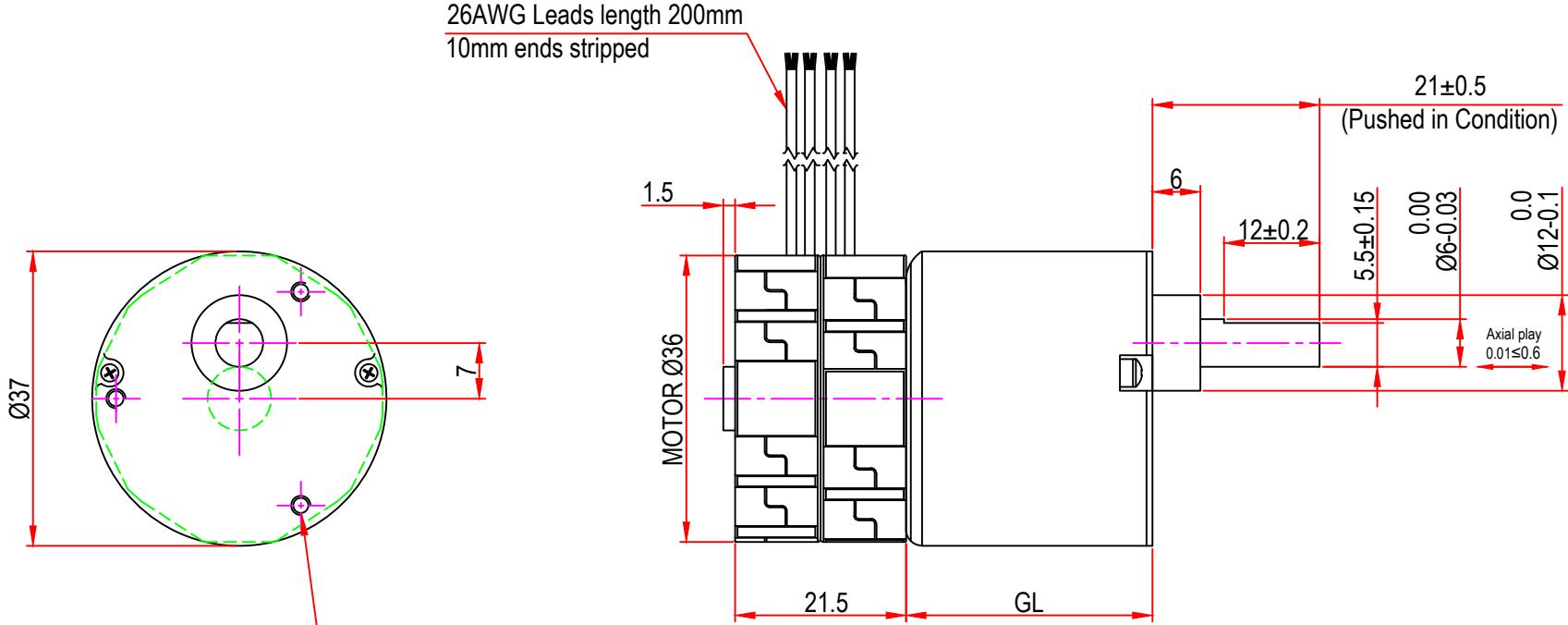
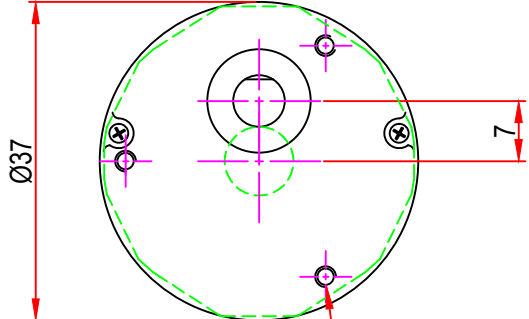


Issue/RevNo	Revision note	Date	Signature	Checked
1.0	Original Issue	01/04/2014	MBM	TNB

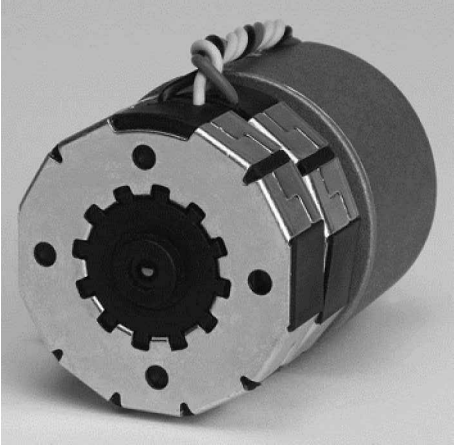


26AWG Leads length 200mm  
10mm ends stripped



M3 x 0.5 x 4mm deep max. x 3nos  
mounting holes at 120° on 31 PCD

Model No	No of Stages	GL
GC - 1	3 - 4	20.6
GC - 2	5 - 6	25.3
GC - 3	7 - 8	29.55



Itemref	Client	-		Article No./Reference
Designed by	Checked by	Approved by	Date	Scale
MBM	TNB	TNB	01/04/2014	do not scale
<b>BRAND - MECHTEX</b> Navi Mumbai - 400 709.			<b>MTR3aGBC</b>	
<b>F-MKT-022 VER 3.0</b>			<b>Assembly Drawing</b>	Edition Sheet 1 of 1