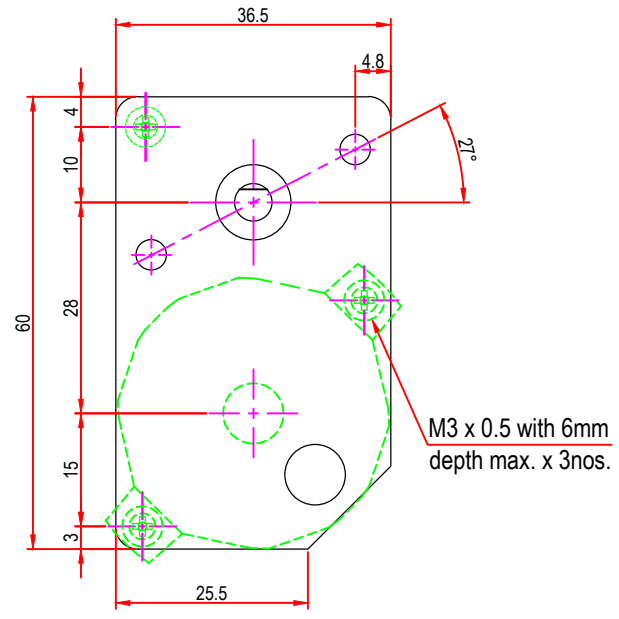
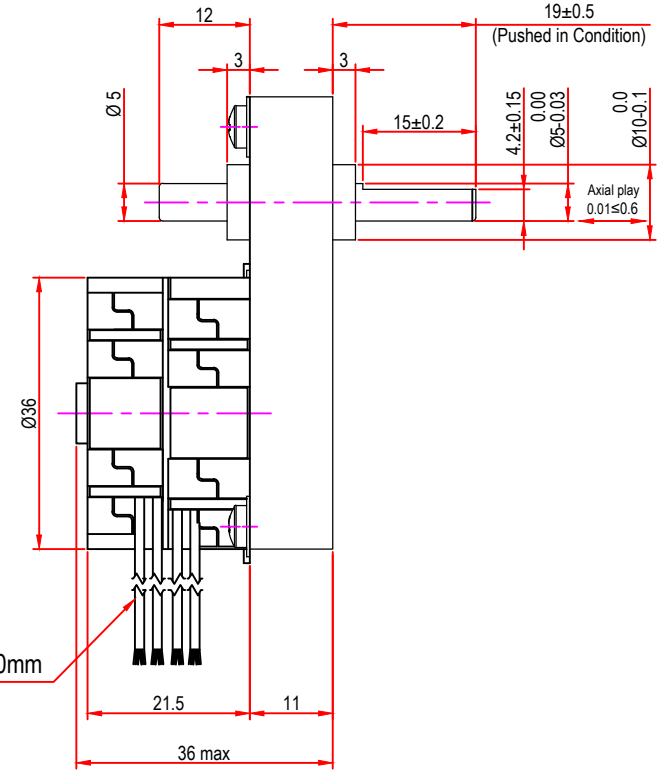


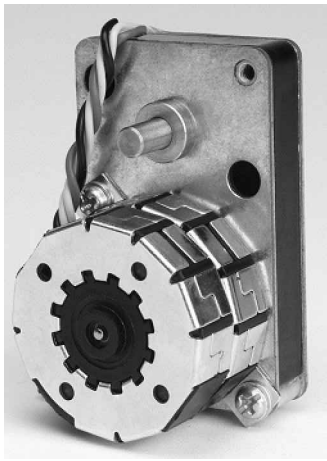
Issue/RevNo	Revision note	Date	Signature	Checked
1.0	Original Issue	01/04/2014	MBM	TNB
1.1	Changed shaft from round shaft to slotted customised shaft	07/09/2015	MBM	NSS




M3 x 0.5 with 6mm depth max. x 3nos.



26AWG Lead length 200mm
10mm ends stripped



 Motion Drivetronics Pvt. Ltd.				
Itemref	Client	-		Article No. / Reference
Designed by MBM	Checked by TNB	Approved by TNB		Date 01/04/2014
BRAND - MECHTEX Navi Mumbai - 400 709.			MTR3aGBL	
F-MKT-022 VER 3.0			Assembly Drawing	Edition Sheet 1 of 1