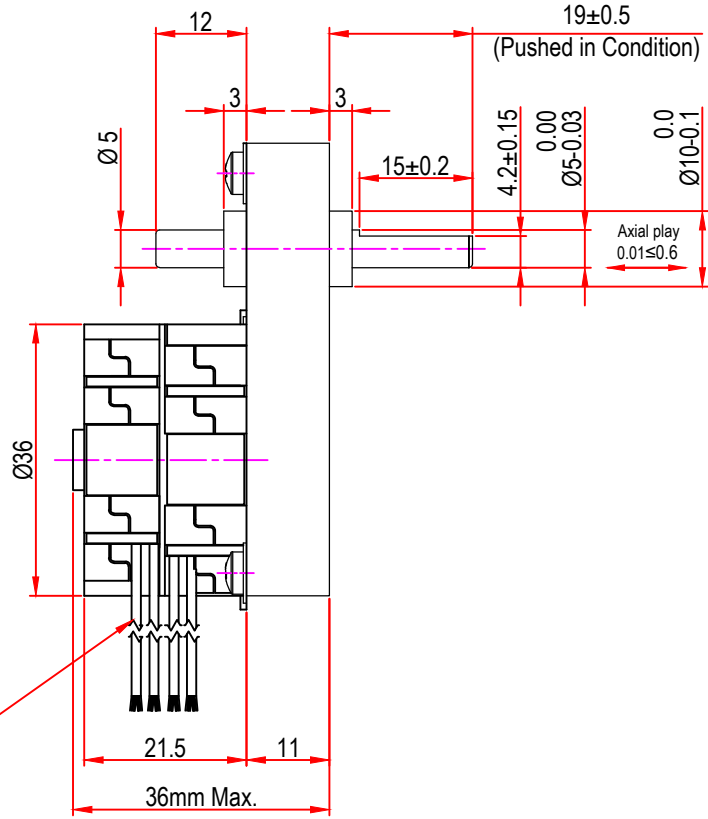
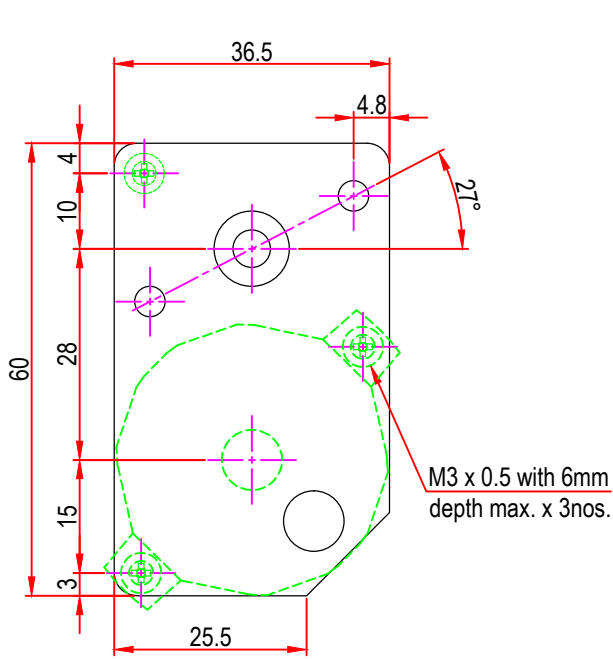
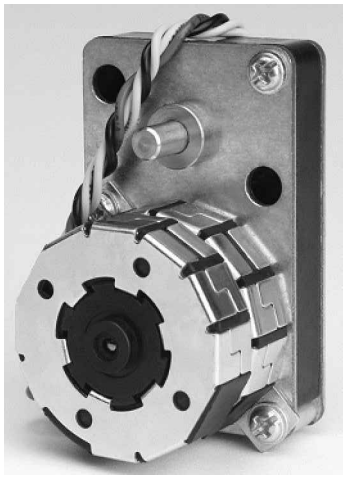



Issue/RevNo	Revision note	Date	Signature	Checked
1.0	Original Issue	01/04/2014	MBM	TNB
1.1	Changged shaft from round shaft to slotted (customised) shaft	07/09/2015	MBM	NSS



26AWG Lead length 200mm
10mm ends stripped



 Motion Drivetronics Pvt. Ltd.			
Itemref	Client	Article No. / Reference	
Designed by MBM	Checked by TNB	Approved by TNB	Date 01/04/2014
BRAND - MECHTEX Navi Mumbai - 400 709.		MTR3bGBL	
F-MKT-022 VER 3.0		Assembly Drawing	Edition Sheet 1 of 1