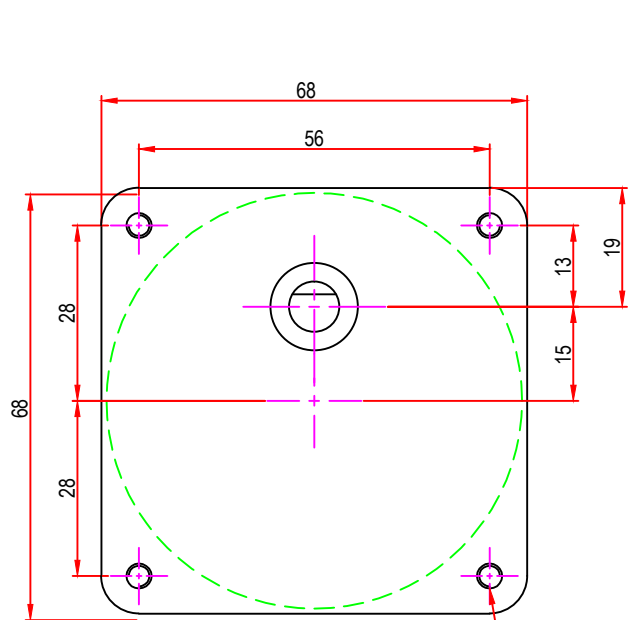
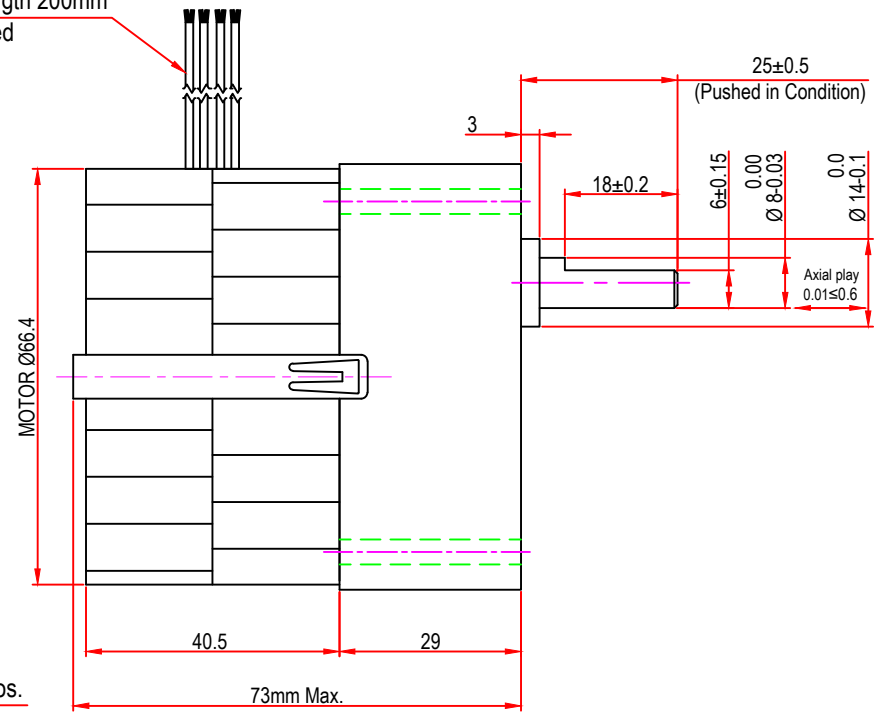


1 2 3 4 5 6 7 8

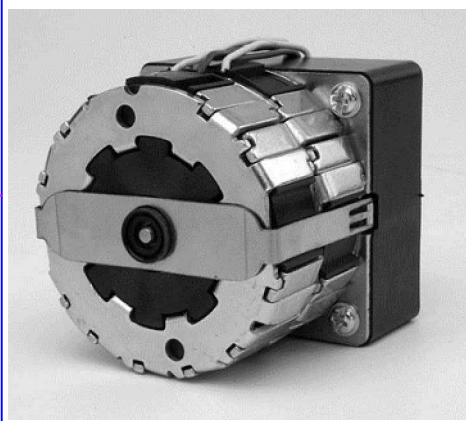
Issue/RevNo	Revision note	Date	Signature	Checked
1.0	Original Issue	01/04/2014	MBM	TNB




22 AWG Leads length 200mm  
10mm ends stripped



M4 x 0.7 with 8.0mm depth x 4nos.  
other on request.



 <b>Motion Drivetronics Pvt Ltd</b>				
Itemref	Client	-		Article No./Reference
Designed by MBM	Checked by TNB	Approved by TNB	Date 01/04/2014	Scale do not scale
<b>BRAND - MECHTEX</b> Navi Mumbai - 400 709.			<b>MTR8cU</b>	
F-MKT-022 VER 3.0			Assembly Drawing	Edition Sheet 1 of 1

1 2 3 4 5 6 7 8