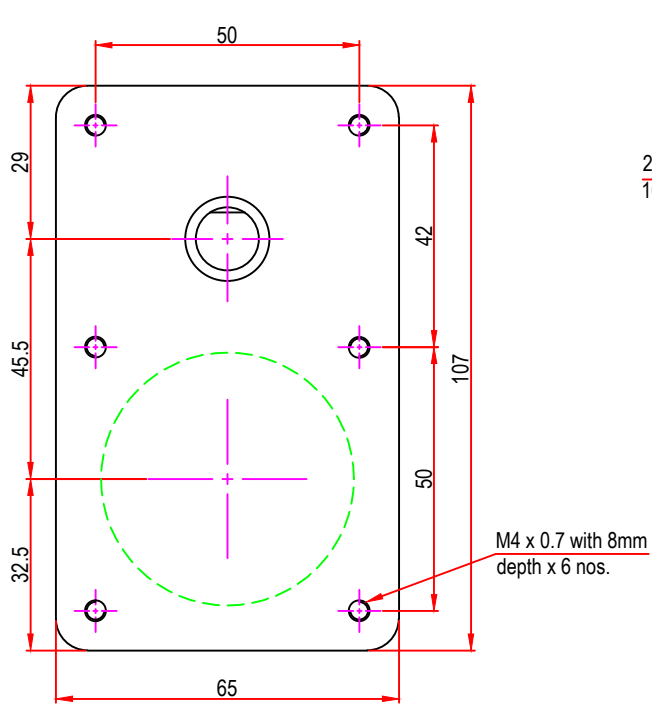
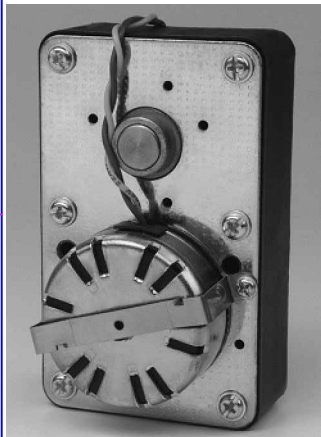
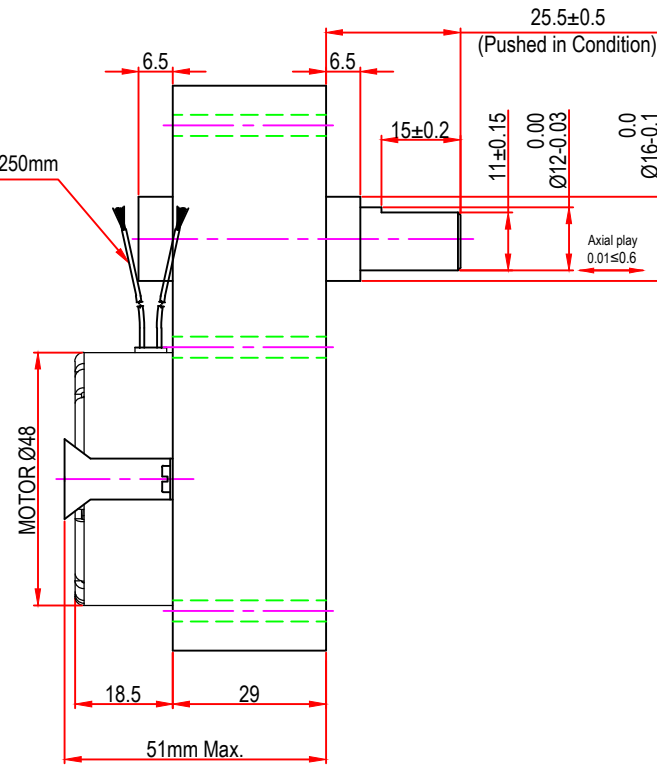



Issue/RevNo	Revision note	Date	Signature	Checked
1.0	Original Issue	01/04/2014	MBM	TNB
1.1	Lead wire length changed from 200mm to 250mm	23/12/2015	MBM	TNB



22AWG Leads length 250mm
10mm ends stripped



 Motion Drivetrionics Pvt Ltd				
Itemref	Client	-		Article No./Reference
Designed by MBM	Checked by TNB	Approved by TNB	Date 01/04/2014	Scale do not scale
BRAND - MECHTEX Navi Mumbai - 400 709.			MT6bW	
F-MKT-022 VER 3.0			Assembly Drawing	Edition Sheet 1 of 1