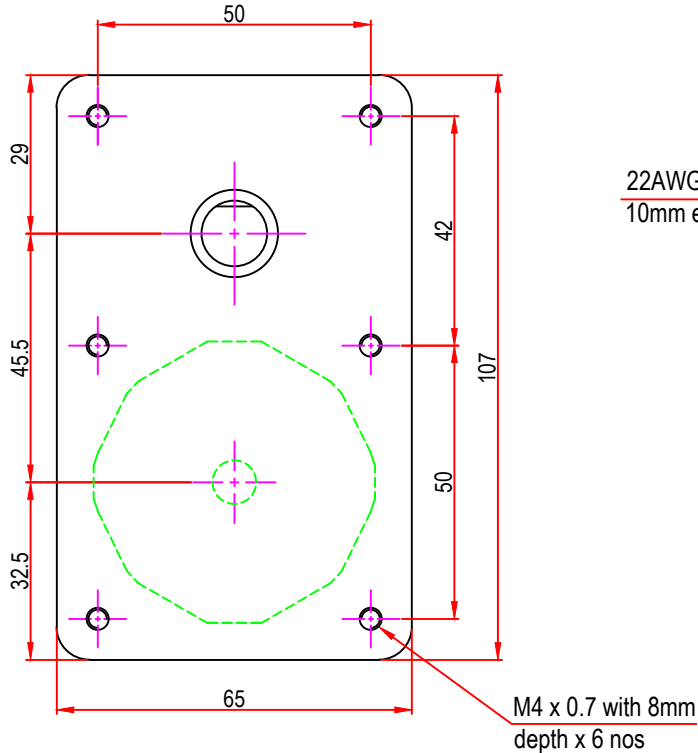
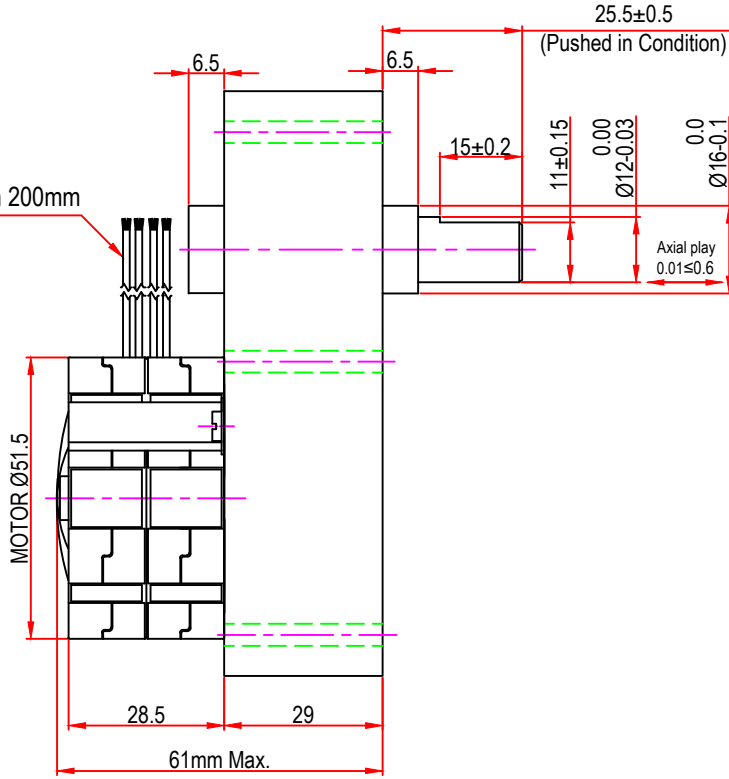



Issue/RevNo	Revision note	Date	Signature	Checked
1.0	Original Issue	01/04/2014	MBM	TNB



22AWG Leads length 200mm
10mm ends stripped



 Motion Drivetronics Pvt Ltd				
Itemref	Client	-		Article No./Reference
Designed by	Checked by	Approved by	Date	Scale
MBM	TNB	TNB	01/04/2014	do not scale
BRAND - MECHTEX Navi Mumbai - 400 709.			MTR4aW	
F-MKT-022 VER 3.0			Assembly Drawing	Edition Sheet 1 of 1