



MTS5



Stepper Motor 15°

Design

15° MTS5 - Permanent magnet stepper motor with simple mechanical structure. Clawpole principle (Tin Can) with 2 stator halves. Self lubricated sinter sleeve with long life expectancy.

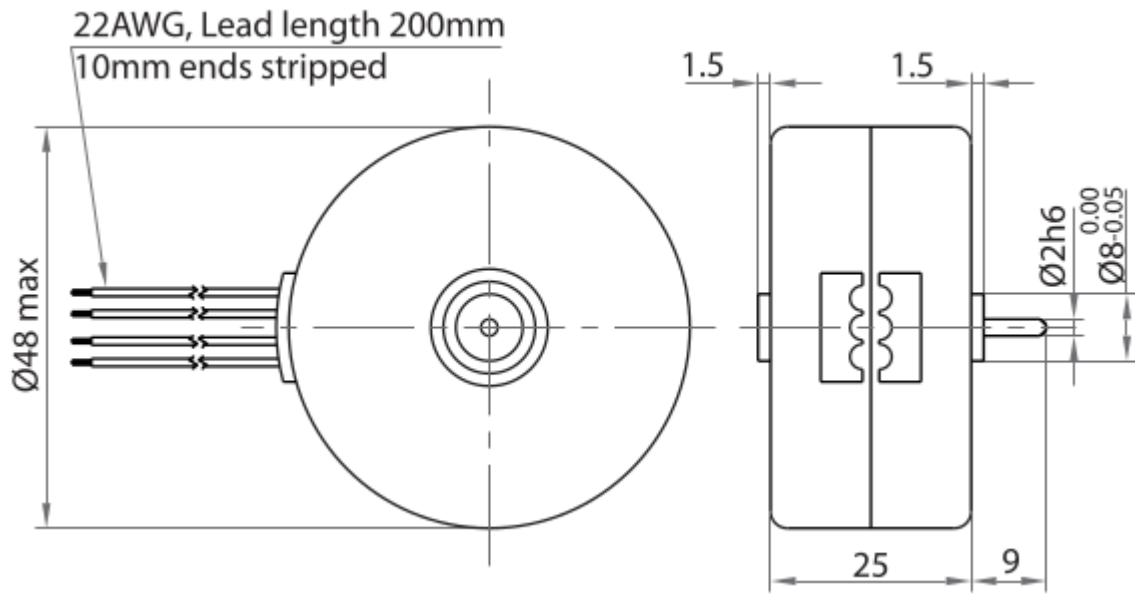
Standard Data

Parameter	Value	Unit
Motor type	Permanent Magnet (PM) stepper motor	
Electrical Enclosure	40	IP
Life expectancy	3 Year in Continuous operation	
Connections	Flexible leads 22 AWG, 200mm length, end striped 10mm	
Weight	140	g
Mounting	Any position by ears or screw clip	

Technical Data

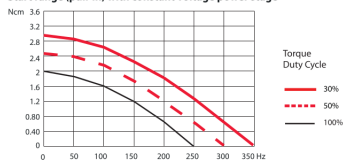
Parameter	Value	Unit
Steps per revolution	24	
Degree/step	15	
Winding type	bipolar, unipolar	
Standard Voltage	6, 12, 24	V
Resistance per winding at 24V - (Bipolar)	15, 78, 300	Ω
Resistance per winding at 24V - (Unipolar)	20, 78, 300	Ω
Winding temperature	105 max	°C
Holding torque	2.5, (MTSB5), 2.1, (MTSU5)	Ncm
Axial Force	2	N
Lateral Force	4	N
Rotor inertia	6	gcm ²

Dimensional Drawing

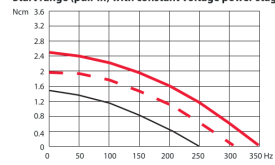


Torque Graphs

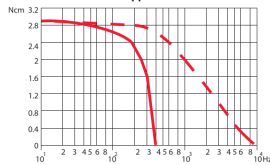
Start range (pull-in) with constant voltage power stage



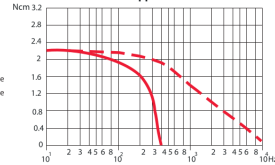
Start range (pull-in) with constant voltage power stage



2-Phase stepper Motor MTSBS



4-Phase Stepper Motor MTSU5



Slew range (pull-out) and start range (pull-in) with constant current power stage (chopper Drive)

Slew range (pull-out) and start range (pull-in) with constant current power stage (chopper Drive)